



E-LINEDB-YA

Height Adjusted Under-Screed Junction Box



NEW
PRODUCT

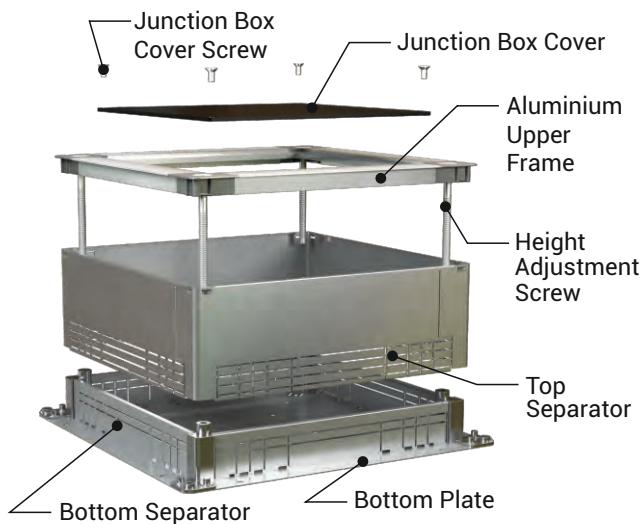
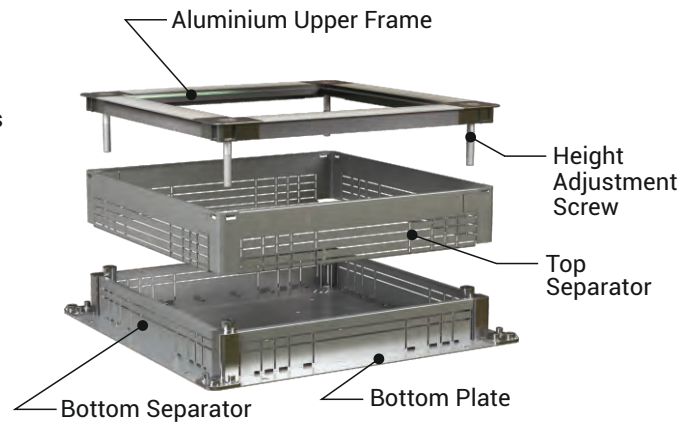
►► E-LINE DB/YA (Height Adjusted Under-Screed Junction Box)

► Outlet Junction Box and Pull Junction Box Solutions



► Output Junction Box (DB/YA-S1)

- Used for outlet (socket) boxes and has no cover.
- Height adjusted "S" type outlet junction boxes provide pre-screed and post-screed height adjustment thanks to its specially designed screws and top separator on aluminium upper frame corners.
- **DB/YA-S1A**
Under-Screed outlet junction box with 70-125 mm height adjustment. (Minimum screed height 70mm)
- **DB/YA-S1B**
Under-Screed outlet junction box with 125-180mm height adjustment. (Minimum screed height 125mm)



► Pull Junction Box (DB/YA-SK)

- Includes an access hole with a cover in order to install cables for low current and high current.
- Height adjusted "SK" type pull junction boxes provide pre-screed and post-screed height adjustment thanks to its specially designed screws and top separator on aluminium upper frame corners.
- **DB/YA-SKA**
Under-Screed pull junction box with 70-125 mm height adjustment. (Minimum screed height 70mm)
- **DB/YA-SKB**
Under-Screed pull junction box with 125-180mm height adjustment. (Minimum screed height 125mm)

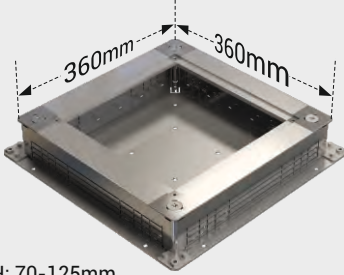
►► General Product Features / Order Codes

Height Adjusted Under-Screed Junction Box Types and Order Codes

Height adjusted outlet junction box 70-125

DB-MX1/F7-S1A

Order Code **3159788**

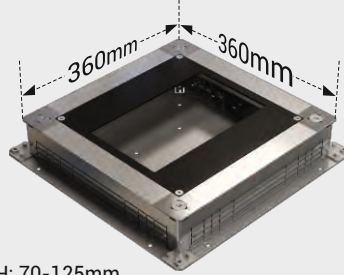


H: 70-125mm

Height adjusted outlet junction box 70-125

DB-MX2-S1A

Order Code **3164618**

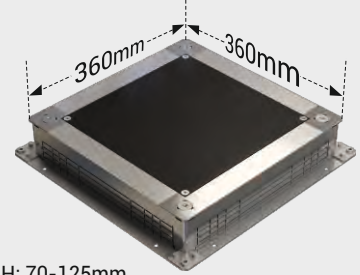


H: 70-125mm

Height adjusted pull junction box 70-125

DB-MX1/F7-SKA

Order Code **3164621**

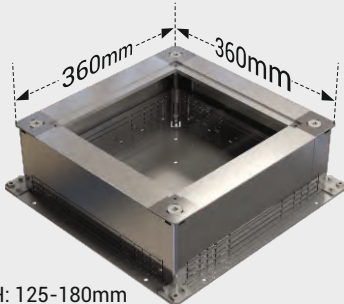


H: 70-125mm

Height adjusted outlet junction box 125-180

DB-MX1/F7-S1B

Order Code **3159789**

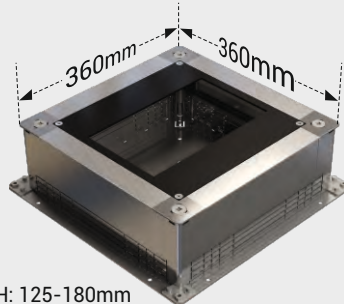


H: 125-180mm

Height adjusted outlet junction box 125-180

DB-MX2-S1B

Order Code **3164620**

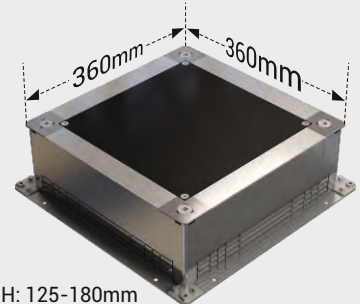


H: 125-180mm

Height adjusted pull junction box 125-180

DB-MX1/F7-SKB

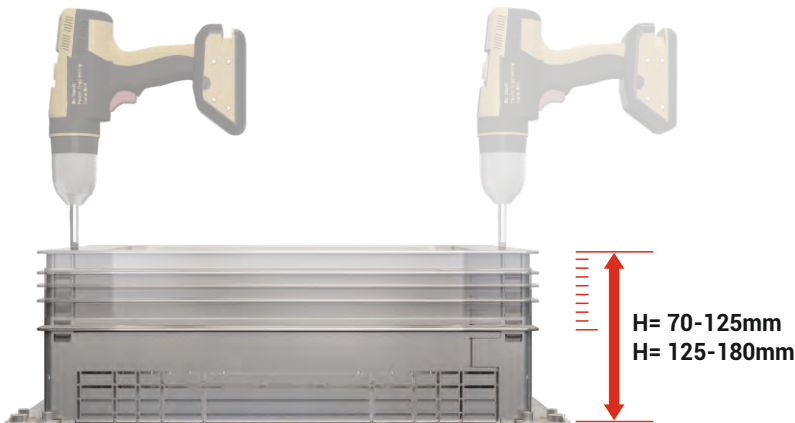
Order Code **3164622**



H: 125-180mm

Why Use Height Adjusted Junction Box?

- 1- To prevent the screed to crack, the junction box and duct lower surfaces must be settled completely to the concrete floor.
Therefore the junction box height adjustment must be done from top, not bottom.
In this case E-LINE DB/YA series junction boxes offer the perfect solution.
- 2- For spaces with varied screed height, it offers two different maximum level (125 mm and 180 mm) height adjustment setting.
- 3- It includes a precision mechanism allowing the height to be adjusted incrementally and very precisely in mm.



EAE Elektrik A.S.
Akcaburgaz Mahallesi,
3114. Sokak, No:10 34522
Esenyurt - Istanbul - TURKEY
Tel: +90 (212) 866 20 00
Fax: +90 (212) 886 24 20

Please visit our website for the updated version of our catalogs.
www.eae.com.tr

TS EN 50085-2-2



Brochure 33-Eng. / Rev 00 500 pcs. 30/05/2019
G.M.

EAE has full right to make any revisions or changes on this brochure without any prior notice.