



# E-LINEN-DK

Modular and Compact Solutions for Under Screed and Raised Floors



# E-LINEN-DK

Please visit our website for the latest version of our catalogues.  
[www.eaelectric.com](http://www.eaelectric.com)

# CONTENTS

---

## ►► E-LINE N-DK

E-LINE DK-MX FLOOR OUTLET (Socket) BOXES	
Under Screed and Raised Floor Solutions.....	<b>2</b>
Models.....	<b>3</b>
E-LINE DK-MX (Raised Floor Application).....	<b>4</b>
In Different Floor Coverings.....	<b>5</b>
Under Screed and Raised Floor Solutions.....	<b>6-7</b>
E-LINE DK-F FLOOR OUTLET (Socket) BOXES	
Under Screed and Raised Floor Solutions.....	<b>8</b>
In Different Floor Coverings.....	<b>9</b>
E-LINE DK-CX STAINLESS COVER COMPACT OUTLET (Socket) BOX	
Compact Solutions for Under Screed and Raised Floors.....	<b>10</b>
In Different Floor Coverings.....	<b>11</b>
DK-CX Mini.....	<b>12</b>
DK-CX Stainless Cover Compact Outlet (Socket) Box and Order Codes.....	<b>13</b>
E-LINE DKM-P STAINLESS DKM OUTPUT (Socket) BOX	
Compact Solutions for Under Screed and Raised Floors.....	<b>14</b>
In Different Floor Coverings.....	<b>15</b>
E-LINE DK-GRM NEW GROMMET (6 Modules)	
Multifunctional Outlet (Socket) Box.....	<b>16</b>
Raised Floor Installation.....	<b>17</b>
E-LINE DK-GRM IP IP66 WATERPROOF GROMMET	
IP66 Multifunctional Outlet (Socket) Box.....	<b>18</b>
Raised Floor Installation.....	<b>19</b>
E-LINE DB-DKL UNDER SCREED JUNCTION BOXES and CABLE DUCTS	
Outlet and Pull Junction Box Solutions.....	<b>20</b>
Design and Selection.....	<b>21-25</b>
SOCKETS / ACCESSORIES ORDER CODES.....	<b>26-28</b>
GENERAL PRODUCT SPECIFICATIONS.....	<b>29</b>
CERTIFICATES.....	<b>30-32</b>
DECLARATION.....	<b>33</b>
DESIGN FORM.....	<b>34-36</b>

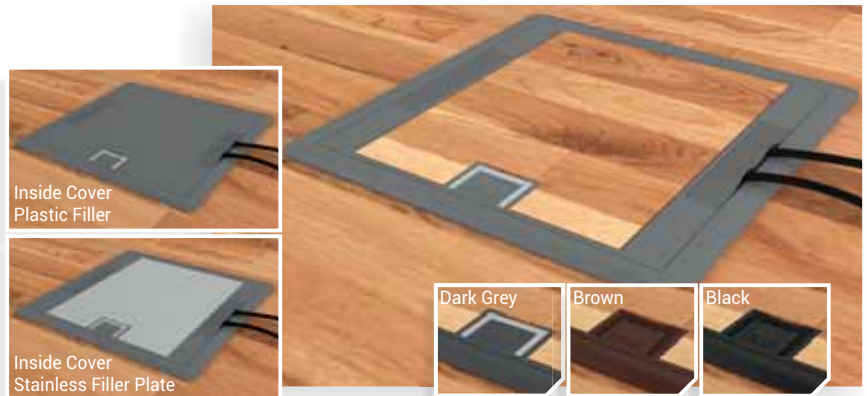
## ►► FLOOR OUTLET (Socket) BOXES ► Under Screed and Raised Floor Solutions

E-LINE DK-MX: The new range outlet (socket) boxes with two models for under screed and raised floors offer a wide range of convenient and aesthetical options.

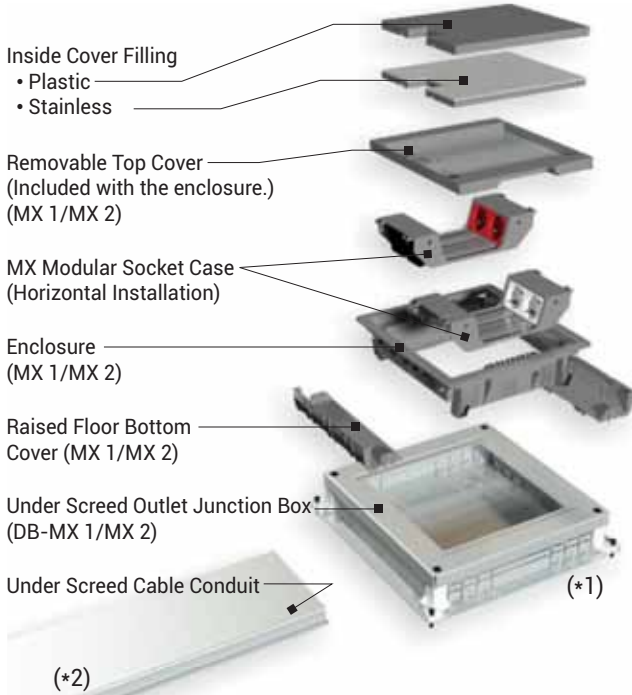
It offers practical solutions that are compatible with the box enclosure and flooring with its inside cover plastic or stainless filler plate.

- **DK-MX 1**; 250x250mm (16-24 Modules)
- **DK-MX 2**; 146x250mm (8 Modules)

(Minimum Screed Height; 75mm)

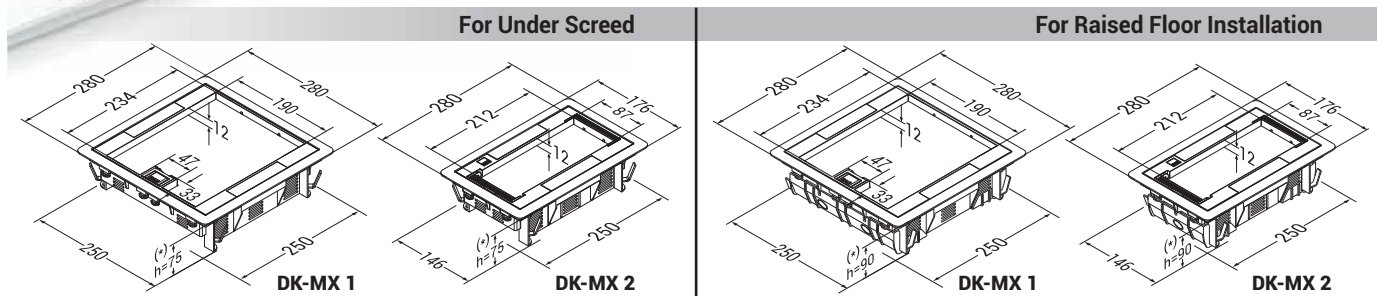


### ► General Structure



Description	Order Codes			
	Grey	Dark Grey	Brown	Black
DK-MX 1 Outlet (Socket) Box, 16 Modules, <b>Under Screed</b> , Complete	3122700	3122701	3136617	3136618
DK-MX 1 Outlet (Socket) Box, 16 Modules, <b>Raised Floor</b> , Complete	3122702	3122703	3136619	3136623
DK-MX 1 Outlet (Socket) Box, 24 Modules, Complete	3122704	3122705	3136626	3136629
DK-MX 2 Outlet (Socket) Box, 8 Modules, <b>Under Screed</b> , Complete	3122708	3122710	3136633	3136634
DK-MX 2 Outlet (Socket) Box, 8 Modules, <b>Raised Floor</b> , Complete	3122709	3122711	3136636	3136637
DK-MX 1 Inside Cover Plastic Filler	2057342	2057345	2057344	2057343
DK-MX 2 Inside Cover Plastic Filler	2065384	2065387	2065386	2065385
DK-MX 1 Inside Cover Stainless Filler Plate	2057339			
DK-MX 2 Inside Cover Stainless Filler Plate	2065388			

■ All types of sockets are excluded. Please order separately from the relevant page as per your requirement.



■ Please refer to the related sections in this catalogue for the under screed junction (\*1) and cable ducts (\*2).

■ (\*) If a raised floor bottom cover is installed, then h=90 mm.

### ► Fixing Clips

The fixing clips of the floor boxes are self aligned to allow simple and safe mounting.



### ► Flexible Application

DK-MX Floor Outlet (Socket) boxes can be used as an under screed component as well as a raised floor by simply adding a cover.

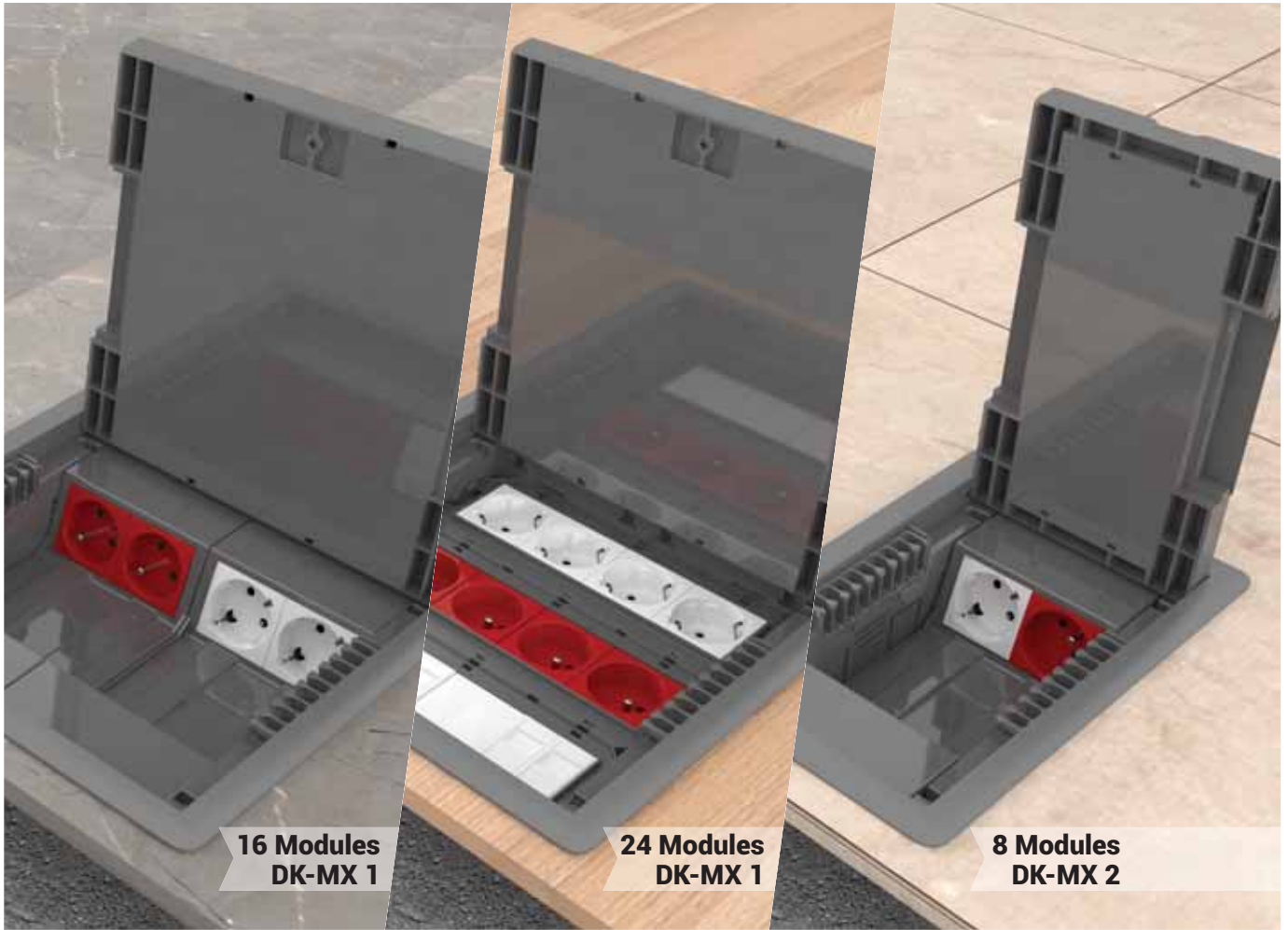


Under screed application  
Min:75mm  
Max:90mm



Raised floor application  
Min:100mm

## ► Models



- DK-MX Outlet (Socket) Boxes: 8, 16 and 24 module outlets for different capacity requirements. Its modular design allows for horizontal and vertical outlet positions.
- It can be installed to suit any decorative design due to its cover depth and different colour options.

### ►DK-MX 1 Vertical Installation Use



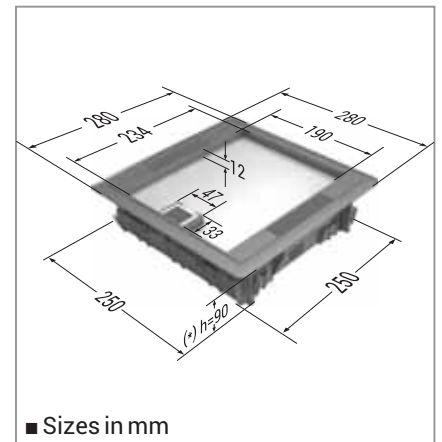
**24 Modules** capacity is obtained by using 3 vertical type socket cases in a "vertical" socket installation.

### ►DK-MX 1 Horizontal Installation Use



**16 Modules** capacity is obtained by using 2 modular socket cases in a "horizontal" socket installation.

### ►DK-MX 1 Sizes



(\*) If a "bottom cover" is installed in a raised floor application, then h=90 mm.

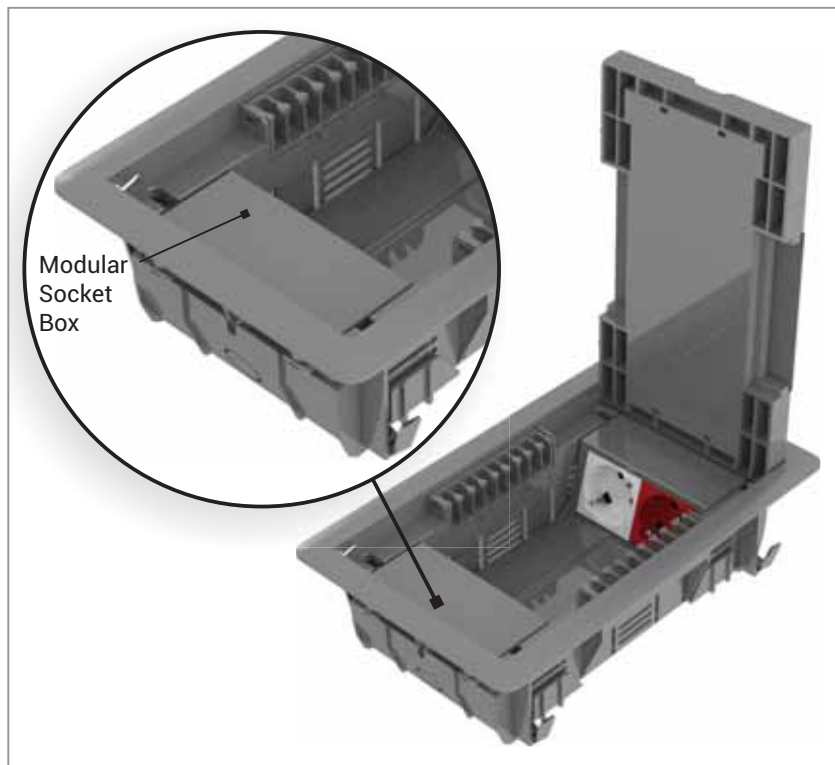
■ Plastic material; PC is "Halogen-free" which meets 960°C glow wire test conditions in accordance with IEC 60965 and "V2" fire resistance class in accordance with the UL94 standard.

## ►E-LINE DK-MX (Raised Floor Application)

DK-MX range outlet (socket) boxes can be conveniently used in raised floor applications. A junction box or a case is not required. Only metal fixing clips and a "raised floor bottom cover" is required for this type of installation.

### ■Raised Floor Thickness (h);

- Curved mounting clip, min: 0 - max: 44mm.
- Straight mounting clip, min: 25 - max: 65mm. Please specify with your order.

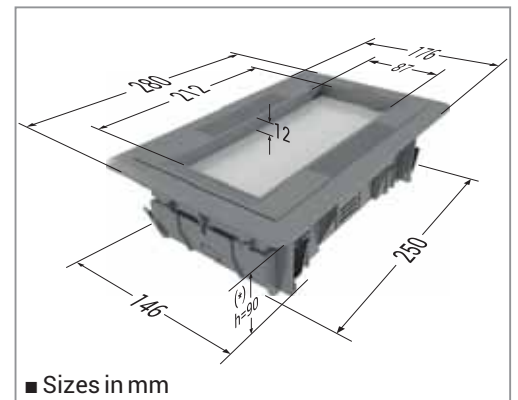


## ►DK-MX 2 Horizontal Installation Use

**8 Modules** capacity is obtained using one modular socket case in a "horizontal" socket installation.

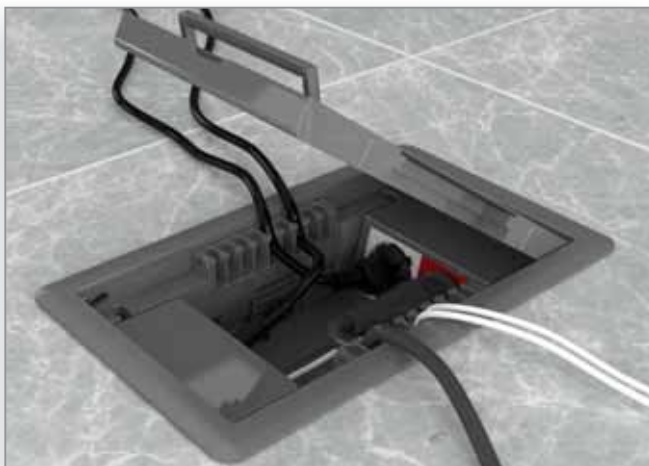
In raised floor applications, a junction box or a socket case is not required; you can use it with a raised floor bottom cover.

## ►DK-MX 2 Sizes



■ Sizes in mm

(\*) If a raised floor **bottom cover** is installed, then h=90 mm.



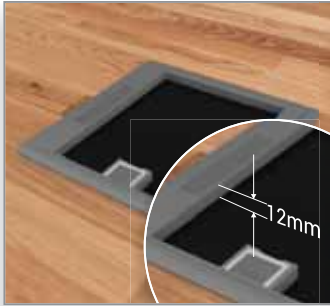
A powerful and ergonomic "**cable organizer**" designed for different cable diameters.



Perfectly finished lines in full harmony with the surroundings and furniture.

## ► In Different Floor Coverings

### ► Inside Cover Height



### ► Carpet



### ► Parquet

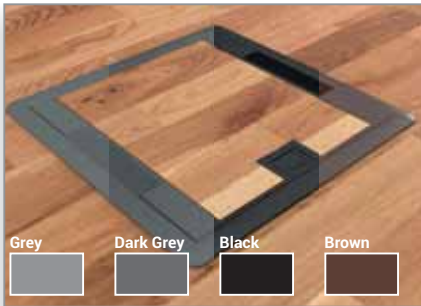


### ► Granite (Marble)

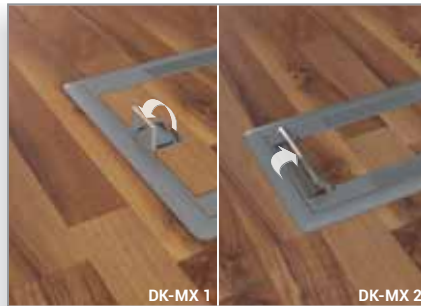


## ► Other Features

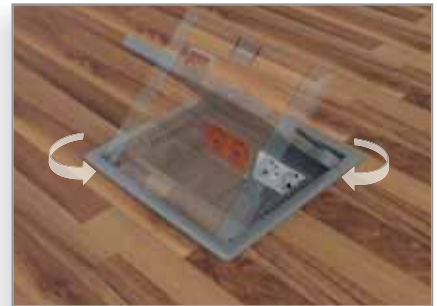
### ► Colour Options



### ► Ergonomic Opening Handle



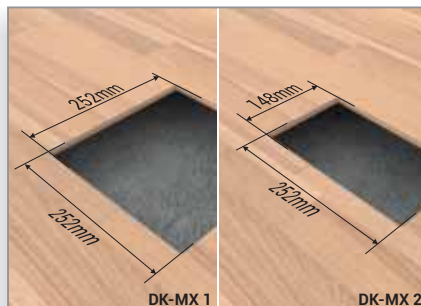
### ► Two-Sided Cover Mounting



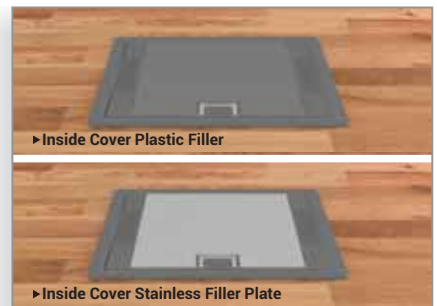
### ► Aesthetic Outlet Window



### ► Floor Cut-to-Length Sizes



### ► Different Inside Cover Filler Options



## ► Raised Floor Thicknesses

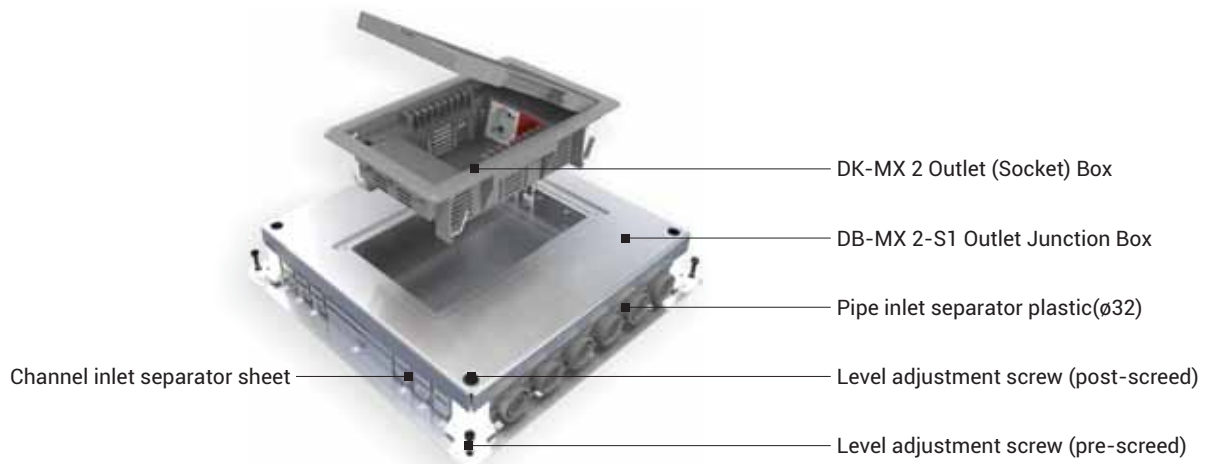
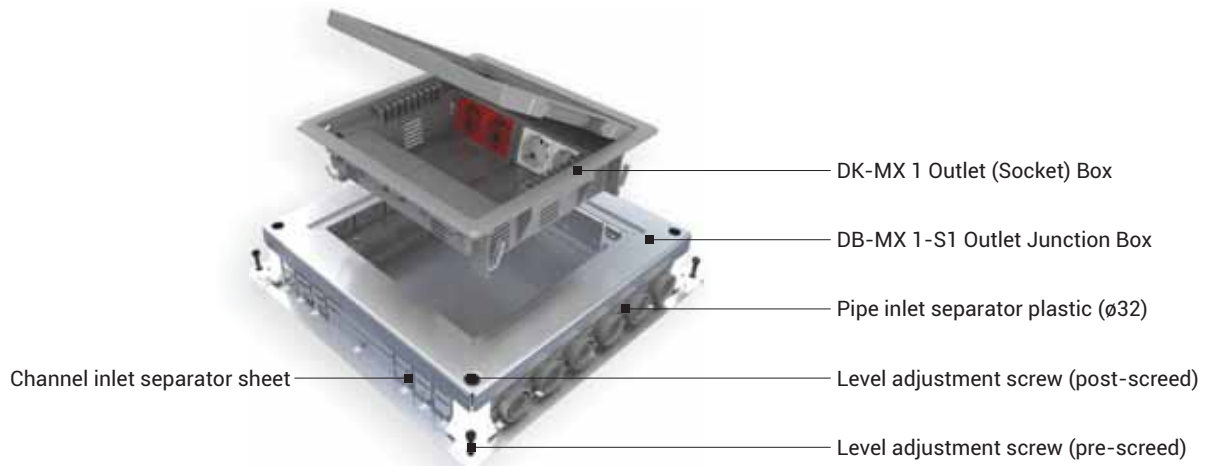


① With curved mounting clip;  
Minimum: 0 mm - Maximum: 44 mm

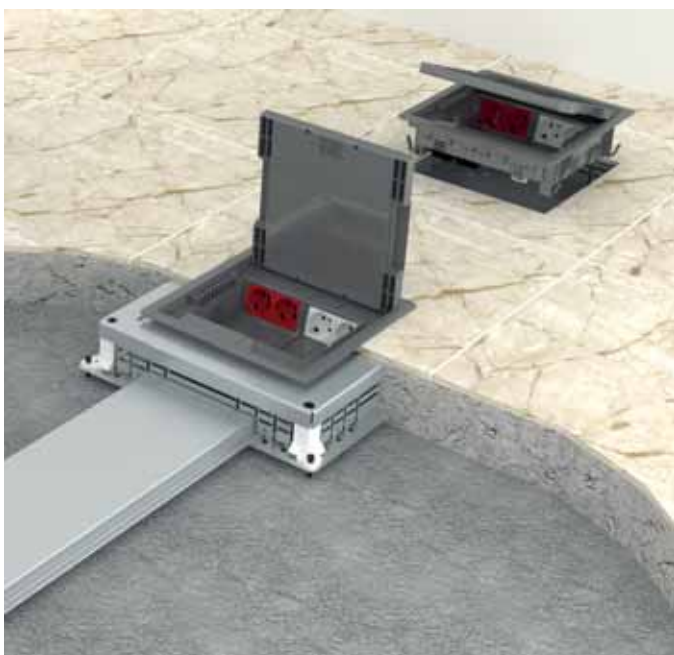
② With straight mounting clip;  
Minimum: 25 mm - Maximum: 65 mm

■ Please specify the mounting clip as per the floor thickness. Otherwise the curved type mounting clip will be provided.

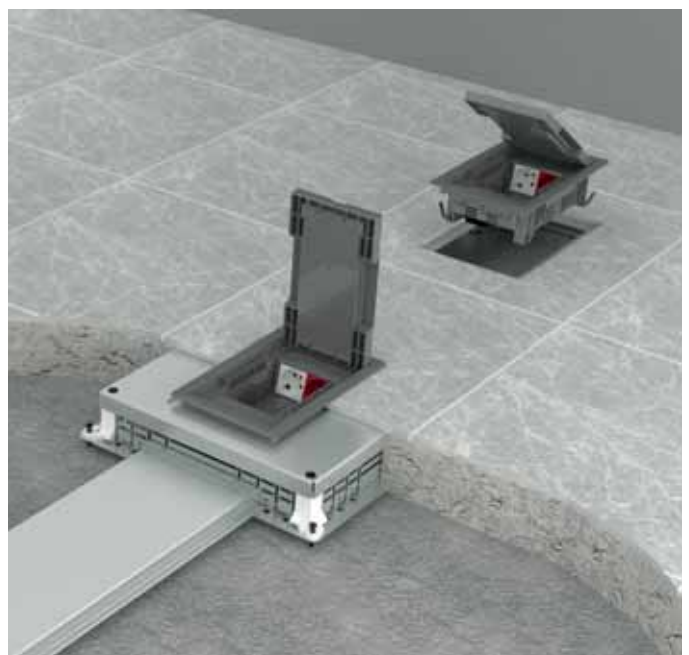
## ►DK-MX Under screed application



DK-MX 1 Under screed application example



DK-MX 2 Under screed application example





## ►DK-MX Raised floor application

DK-MX 1 Raised Floor Application Example



DK-MX 2 Raised Floor Application Example



## ►► FLOOR OUTLET (Socket) BOXES ► Under Screed and Raised Floor Solutions

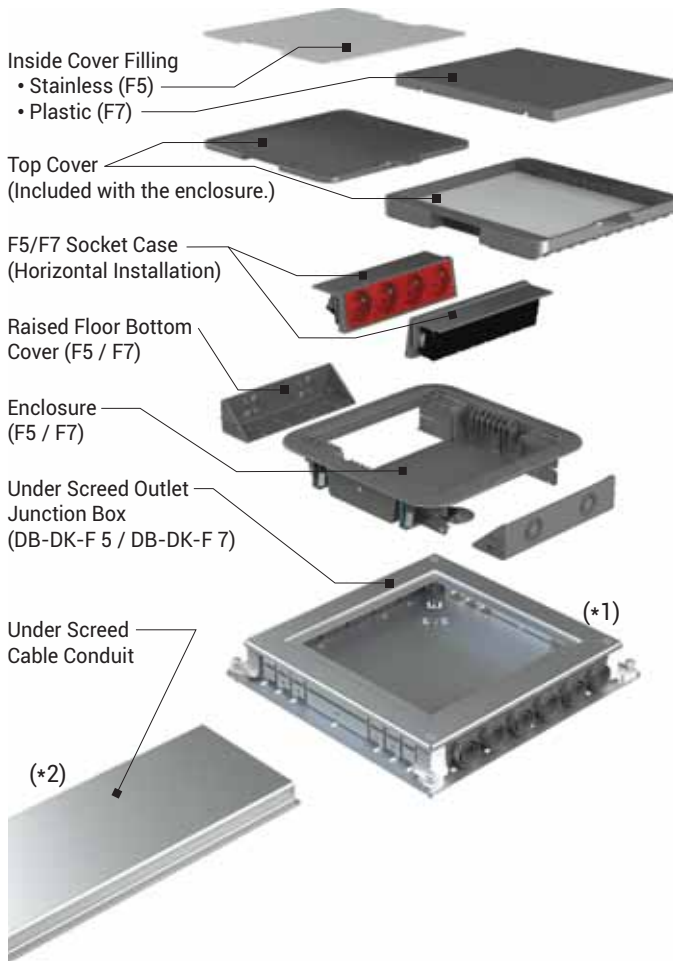
E-LINE DK-F: The new range of outlet (socket) boxes with two models for under screed and raised floors offer a wide range of convenient and aesthetical options. With its new and slim design, DK-F5 socket box, which can be used at 5 cm heights, provides serious economic advantages in terms of reducing the costs of screed and of the building.

It offers practical solutions that are compatible with the box enclosure and flooring with its inside cover plastic or stainless filler plate.

- DK-F 5; 250x250mm (16 Modules), 50mm min. screed height
- DK-F 7; 250x250mm (16 Modules), 75mm min. screed height



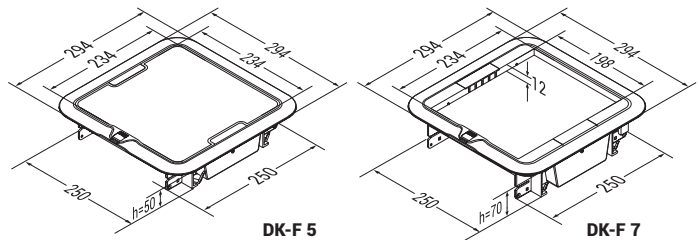
### ► General Structure



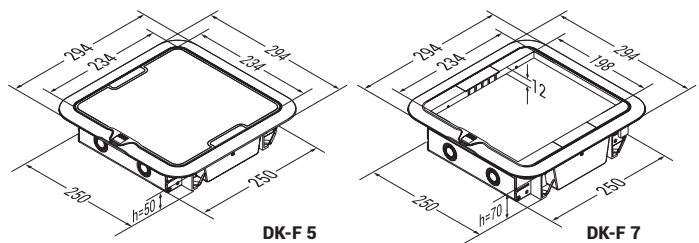
■ DK-F 5 and DK-F 7, Please refer to the related sections in this catalogue for the under screed junction (\*1) and cable ducts (\*2).

Description	Order Codes			
	Grey	Dark Grey	Brown	Black
DK-F 5, Compact Outlet (socket) box, <b>16 Modules</b>	3137092	3137096	3137095	3137093
DK-F 5 Compact Outlet (socket) box, 16 Modules, <b>Raised Floor, Complete</b>	3137097	3137100	3137099	3137098
DK-F 7, Compact Outlet (socket) box, <b>16 Modules</b>	3137278	3137281	3137280	3137279
DK-F 7 Compact Outlet (socket) box, 16 Modules, <b>Raised Floor, Complete</b>	3137282	3137285	3137284	3137283
DK-F 7 Inside Cover Plastic Filler	2067319	2067320	2067321	2067322

#### For Under Screed



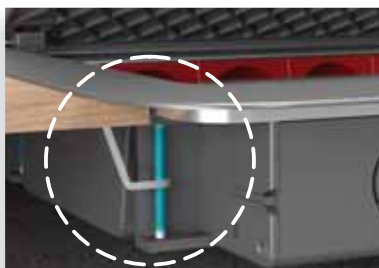
#### For Raised Floor Installation



■ Sizes in mm

### ► Fixing Clips

The fixing clips of the floor boxes are self aligned to allow simple and safe mounting.



### ► Flexible Application

DK-MX Floor Outlet (Socket) boxes can be used as an under screed component as well as a raised floor by simply adding a cover.



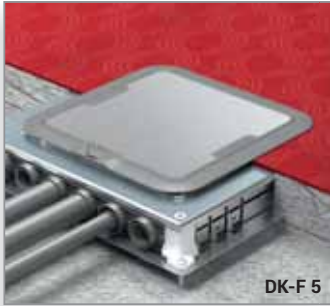
Under screed application  
Min:75mm  
Max:90mm



Raised floor application  
Min:50mm

## ► In Different Floor Coverings

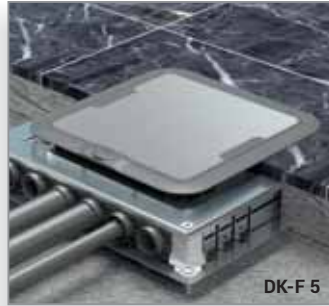
### ► Carpet



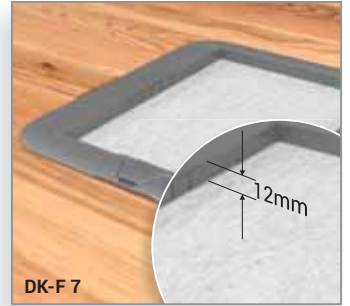
### ► Parquet



### ► Granite (Marble)



### ► Inside Cover Height



## ► Other Features

### ► Colour Options



### ► Opening Handle Integrated to Enclosure



### ► 180° Degree Opening Top Cover



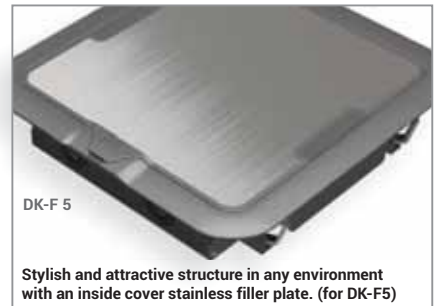
### ► Aesthetic Outlet Window



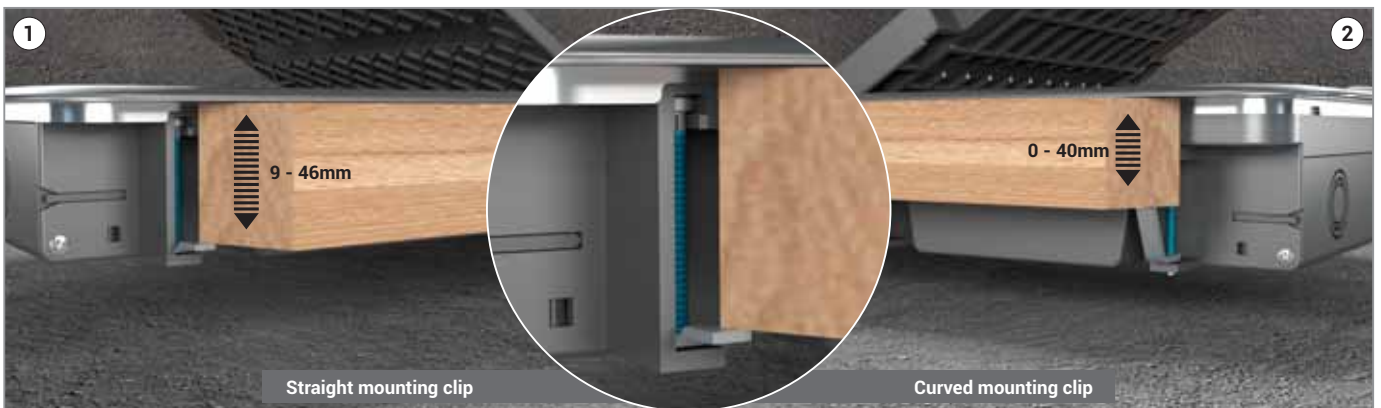
### ► Floor Cut-to-Length Sizes



### ► Cover with Stainless Filler Plate



## ► Mounting Clips According to Raised Floor Thickness



① Straight mounting clip;  
Min: 9 mm - Max: 46 mm

② Curved mounting clip;  
Min: 0 mm - Max: 40 mm

■ Plastic material; PC is "Halogen-free" which meets 960°C glow wire test conditions in accordance with IEC 60965 and "V2" fire resistance class in accordance with the UL94 standard.

■ Please specify the mounting clip as per the floor thickness. Otherwise the curved type mounting clip will be provided.

## ►► STAINLESS COVER COMPACT OUTLET (Socket) BOX

### ► Compact Solutions for Under Screed and Raised Floors

E-LINE DK-CX the new range of compact outlet boxes offer heavy duty and alternative solution options with its galvanized sheet enclosure and sheet reinforced stainless cover structure in both screed floor and raised floor applications.

It offers practical solutions that are compatible with the box enclosure with its inside cover stainless filler plate.

- DK-CX Mini; 140x140x96mm (8 Modules)
- DK-CX 1; 244x244x96mm (16 Modules)
- DK-CX 2; 320x244x96mm (24 Modules)
- DK-CX Mini Y; 140x140x96 (8 Modules)
- DK-CX 1Y; 244x244x96mm (16 Modules)
- DK-CX 2Y; 320x244x96mm (24 Modules)



### ► General Structure

Stainless Sheet Cover (\*)  
(Inside Cover Stainless Filler Plate)

Stainless Sheet Cover (\*)  
(Empty inside cover)

Cable Outlet Window

Mains Sockets  
Vertical Socket Case

UPS Sockets

Socket Case

Blind Cover

Data & Telephone Sockets

Stainless Sheet  
Supporting Frame

Pre-galvanized Sheet Enclosure  
(Under Screed Application)

Stainless Sheet Top Cover (\*)

Stainless Sheet  
Supporting Frame  
(Raised Floor Application)

Support and Height Adjustment Unit

Stainless Sheet Cover (\*)  
(Empty inside cover)

Stainless Sheet Cover (\*)  
(Inside Cover Stainless Filler Plate)

UPS / Mains Sockets  
MCB module  
Stainless Socket Case  
(8 modules)

Stainless Sheet Supporting Frame

Pre-galvanized Sheet Enclosure  
(Under Screed Application)

Stainless Sheet Supporting Frame  
(Raised Floor Application)

Support and Height Adjustment Unit

(\*) The inside of the cover is 4mm pre-galvanized sheet reinforced.

### ► Height Adjustment

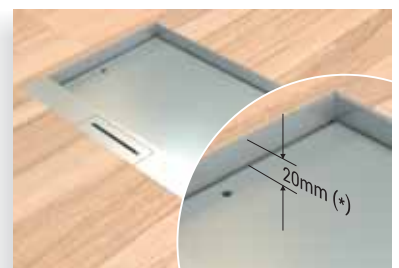
Minimum screed height should be determined by taking into consideration the thickness of the screed cover material. The total height of the top coat together with the screed cannot exceed the maximum heights given on page 13.



### ► Height Inside Cover

The standard inside of the cover height of the DK-CX Type compact socket boxes is 20mm.

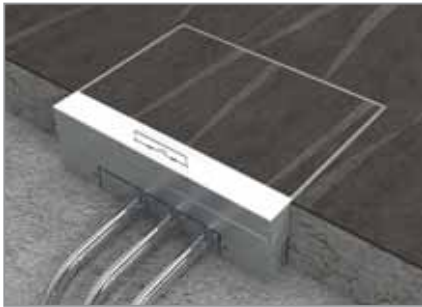
(\*) It can be produced in desired size according to the type and thickness of the floor.



Thanks to their height adjustment screws, DK-CX Type compact socket boxes provide a single point adjustment both post and pre-screed. (0-30mm)

## ► In Different Floor Coverings

### ► Carpet



### ► Parquet

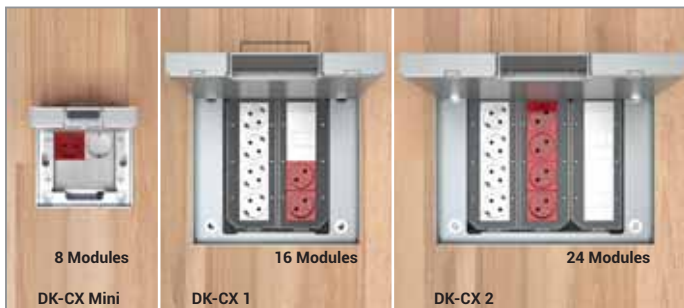


### ► Granite (Marble)



## ► Other Features

### ► 3 Different Capacity Options



### ► Protected Outlet Window



### DK-CX Under Screed Application Example

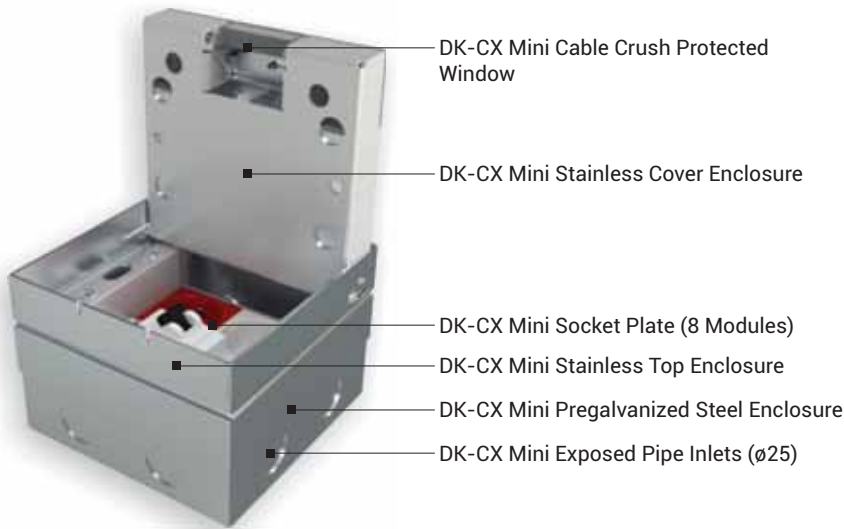


### DK-CX Raised Floor Application Example



■ When ordering please specify the finished floor heights in under screed or raised floor applications.

## ►DK-CX Mini



## ►Other Features

### ►MCB Module



### ►Different Unbreakable Cover Options and Protected Cable Outlet Window



### DK-CX Mini Underfloor Screed Application Example



### DK-CX Mini Raised Floor Application Example



## ►► STAINLESS COVER COMPACT OUTLET (Socket) BOX ► Compact Solutions for Under Screed and Raised Floors

### Stainless Cover Compact Outlet (Socket) Box and Order Codes

DK-CX Mini	DK-CX Mini D	DK-CX Mini Y	DK-CX Mini YD
Stainless Steel Cover Compact Socket Outlet Box, Under Screed	Stainless Steel Cover with Steel Filler Compact Socket Outlet Box, Under Screed	Stainless Steel Cover Compact Socket Outlet Box, Raised Floor	Stainless Steel Cover with Steel Filler Compact Socket Outlet Box, Raised Floor
8 Modules, 140x140x96mm	8 Modules, 140x140x96mm	8 Modules, 140x140x96mm	8 Modules, 140x140x96mm
Order Code <b>3133897</b>	Order Code <b>3136718</b>	Order Code <b>3133898</b>	Order Code <b>3136720</b>
DK-CX 1	DK-CX 1D	DK-CX 1Y	DK-CX 1YD
Stainless Steel Cover Compact Socket Outlet Box, Under Screed	Stainless Steel Cover with Steel Filler Compact Socket Outlet Box, Under Screed	Stainless Steel Cover Compact Socket Outlet Box, Raised Floor	Stainless Steel Cover with Steel Filler Compact Socket Outlet Box, Raised Floor
16 Modules, 244x244x96mm	16 Modules, 244x244x96mm	16 Modules, 244x244x96mm	16 Modules, 244x244x96mm
Order Code <b>3122681</b>	Order Code <b>3122682</b>	Order Code <b>3122683</b>	Order Code <b>3122684</b>
DK-CX 2	DK-CX 2D	DK-CX 2Y	DK-CX 2YD
Stainless Steel Cover Compact Socket Outlet Box, Under Screed	Stainless Steel Cover with Steel Filler Compact Socket Outlet Box, Under Screed	Stainless Steel Cover Compact Socket Outlet Box, Raised Floor	Stainless Steel Cover with Steel Filler Compact Socket Outlet Box, Raised Floor
24 Modules, 320x244x96mm	24 Modules, 320x244x96mm	24 Modules, 320x244x96mm	24 Modules, 320x244x96mm
Order Code <b>3122685</b>	Order Code <b>3122686</b>	Order Code <b>3122687</b>	Order Code <b>3122688</b>

- DK-CX 1 and DK-CX 2 compact socket outlet boxes have exposed side walls suitable for both the pipe (ø25) and the duct (180x25mm).
- When ordering please specify the finished floor heights in under screed or raised floor applications.
- Socket case and socket plates are included, any sockets are excluded. Please order the sockets by selecting from the related page.

# ELINEDKM-P



## ►► STAINLESS DKM OUTPUT (Socket) BOX ► Compact Solutions for Under Screed and Raised Floors

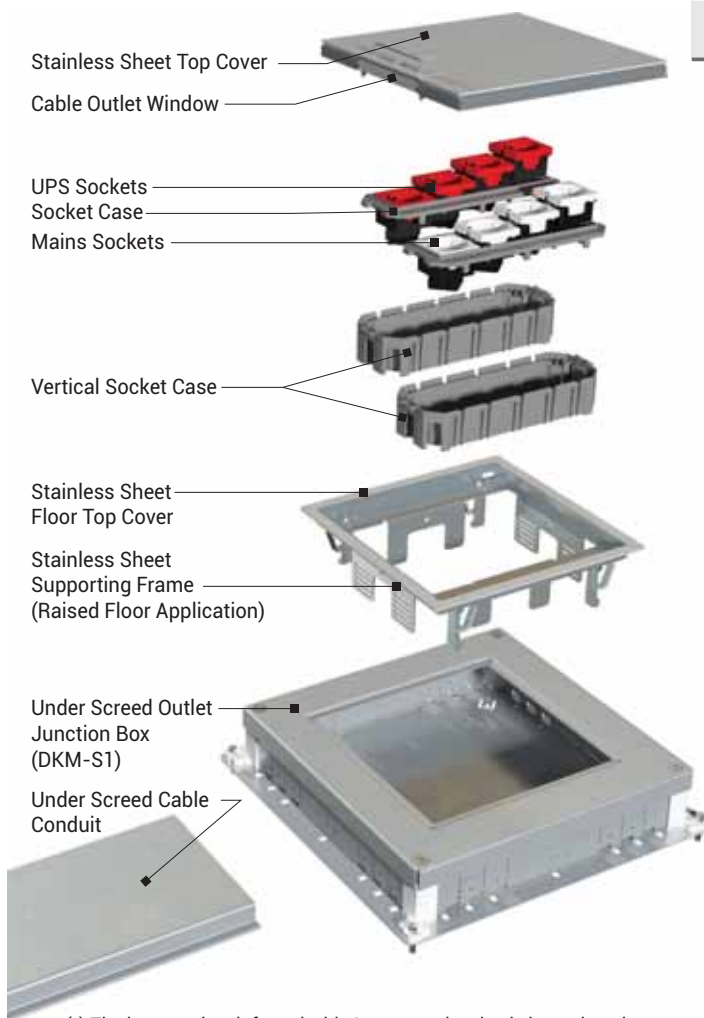
E-LINE DKM-P, New range of compact outlet boxes offer alternative solution options with its stainless sheet enclosure and sheet reinforced stainless cover structure in both under-floor and raised floor applications.

Especially at places with heavy foot traffic or locations under chairs, it eliminates breaking down issues being a heavy-duty product.

- DKM-P; 234x234x80mm (16 Modules)



### ► General Structure

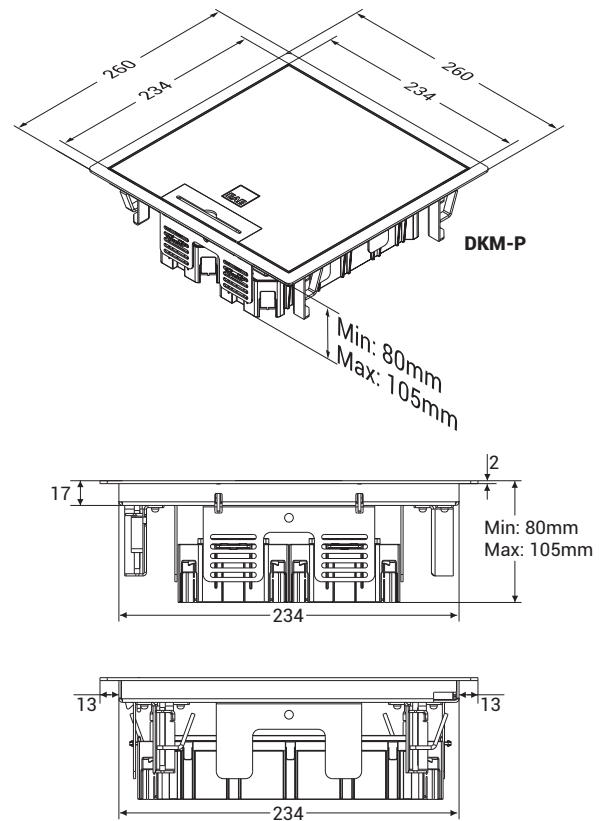


(\*) The in-cover is reinforced with 4mm pregalvanized sheet; there is no inside-cover gap.

### DKM-P Stainless Compact Outlet (Socket) Box

Description	Order Codes
DKM-P Stainless Compact Outlet (Socket) Box, 16 Modules, 234x234x80, Complete	3134085

■ Socket case and socket plates are included, any sockets are excluded. Please order the sockets by selecting from the related page.



- Sizes in mm
- In the standard product the raised floor "h" min = 80 mm.
- Minimum Under Screed height must be 80 mm with the upper coating.

### ► Fixing Clips and Flanged Body Structure

The fixing clips of the floor boxes are self aligned to allow simple and safe mounting. Flanged enclosure structure fills the gap between the layout and the box and removes visual pollution.



### ► Module Capacity

- DKM-P type compact stainless output (socket) boxes are available for vertical socket usage and include 16 modules socket capacity.
- Low voltage sockets such as Data and Telephone can be used with Mains and UPS sockets.
- Recommended to be used with L Type plugs.





## ► In Different Floor Coverings

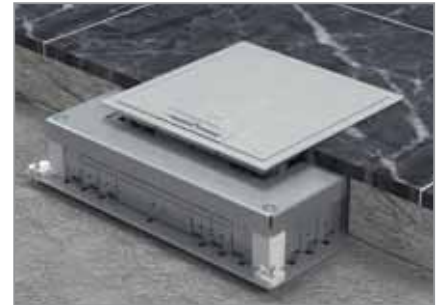
### ► Carpet



### ► Parquet



### ► Granite (Marble)



## ► Other Features

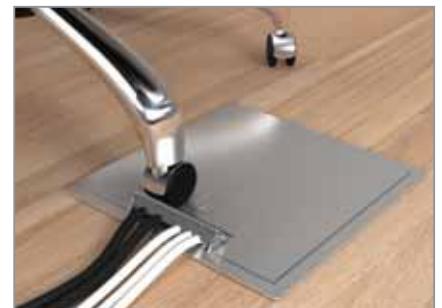
### ► Stainless Cover and Frame Design



### ► Usage With MCB Module



### ► Protected Cable Outlet Window and Unbreakable Cover

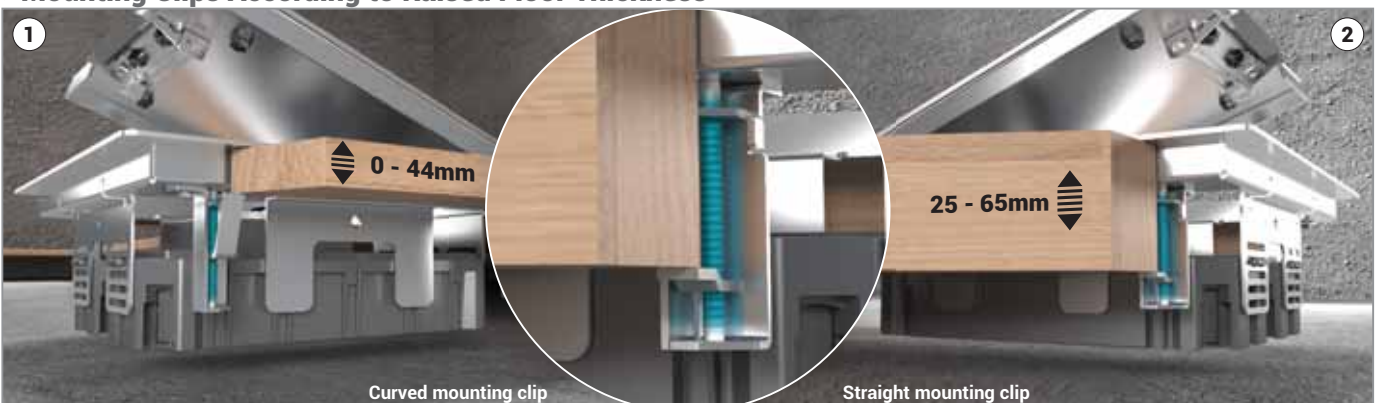


DKM-P Under Screed Application Example

DKM-P Raised Floor Application Example



## ► Mounting Clips According to Raised Floor Thickness



① With curved mounting clip;  
Minimum: 0 mm - Maximum: 44 mm

② With straight mounting clip;  
Minimum: 25 mm - Maximum: 65 mm

■ When ordering please inform the finished floor heights in under screed or raised floor applications.

# ELINEDK-GRM

## ►► NEW PLASTIC GROMMET 6 Modules ► Multifunctional Outlet (Socket) Box

- 6 Module Socket Capacity
- $\varnothing 140/h=75\text{mm}$
- Raised floor and under screed application options

Plastic material used is PA6; which is "halogen free" and has met 690°C glow wire test conditions as per IEC 60965 and in V2 fire resistance class according to UL94 standard.

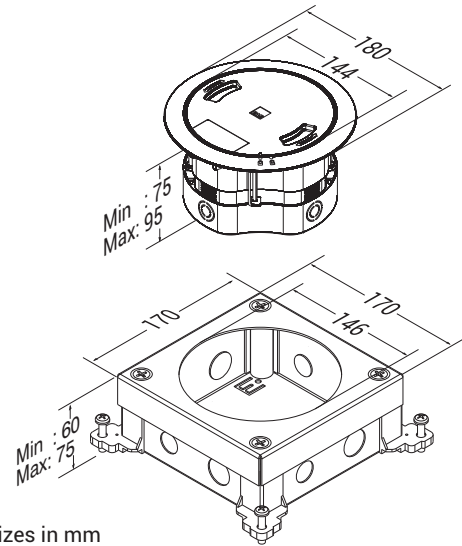
With its small and compact structure, it can be used as a 6 modules socket box. Besides if required, with suitable MCB, RCB or RCBO plate, it can be used for cable outlet from ground to table.



### ► General Structure



Order Codes				
Description	Grey	Dark Grey	Brown	Black
New Plastic Grommet, 6 Modules, Socket Plate, Complete	3159337	3159340	3159339	3159338
New Plastic Grommet, 6 Modules, MCB Plate, Complete	3159341	3159344	3159343	3159342
New Grommet, Under Screed Outlet Junction Box	3159345			



### ► Socket Capacity

Small size New Plastic GROMMET that meets Mains, UPS, Data and Telephone needs. Versatile use structure with 6 Modules capacity.



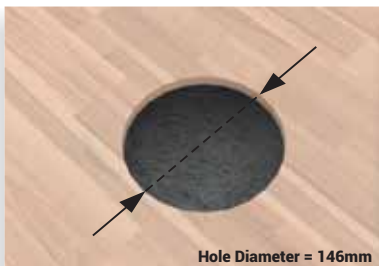
### ► Under Screed Application

New Plastic Grommet (6 Modules) must be used with Under Screed Junction. Minimum screed height is 75mm.

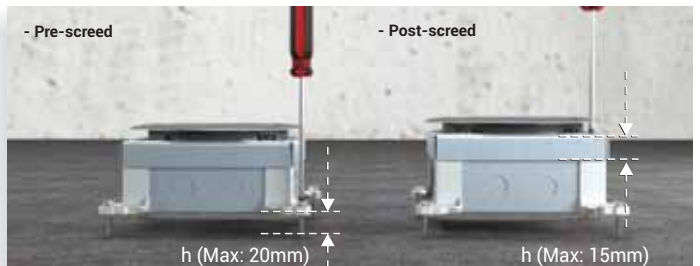


### ► Raised Floor Hole Diameter

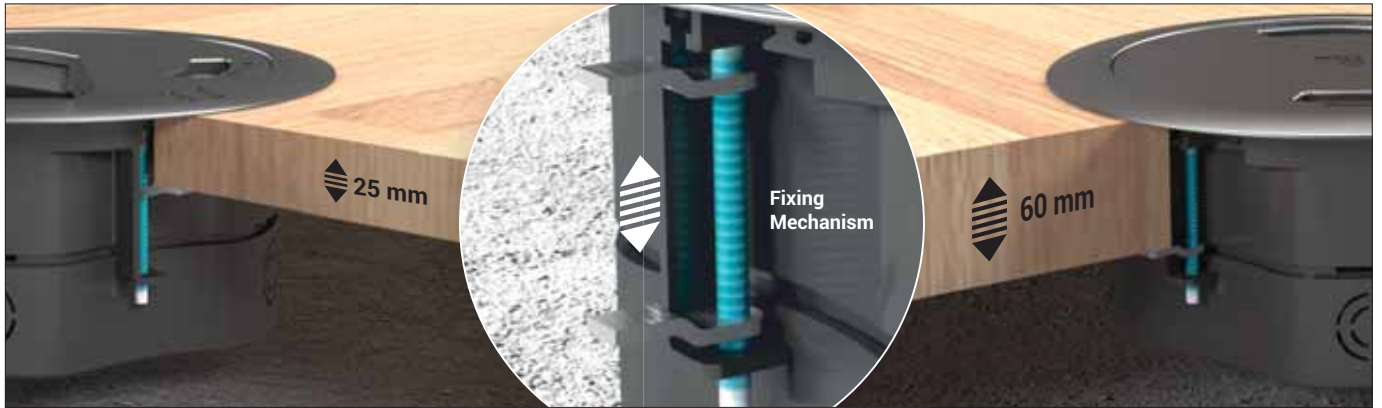
New Plastic GROMMET raised floor hole diameter is 146mm.



### ► Height Adjustment



## ► Raised Floor Installation



■ Minimum floor thickness: 25mm.

■ Maximum floor thickness: 60mm.

## ► Protected Outlet Window

Gasket shielded window that enables comfortable and secure outlet with multiple cables.

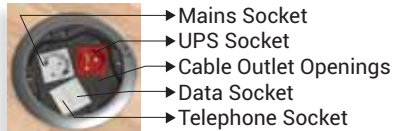


## ► Ergonomic Cover Structure

The handle system with practical handling feature that eases opening and closing of the cover.



## ► Multi-Functional Structure



In addition to High and Low current socket cables, authentic design allows under screed-to-above layout and cable output locations.

## ► Usage with MCB

The unit design enables the use of three phase or single phase miniature circuit breaker (MCB), residual current device (RCD) or Residual Current Circuit Breaker with Over Current Protection (RCBO).



## Raised Floor Application Example



## Under Screed Application Example



# ELINEDK-GRM IP



## ▶▶ IP66 WATERPROOF PLASTIC GROMMET ▶ IP66 Multifunctional Outlet (Socket) Box

- 4 Module Socket Capacity
- $\varnothing 205/h=67\text{mm}$
- Raised floor and under screed application options

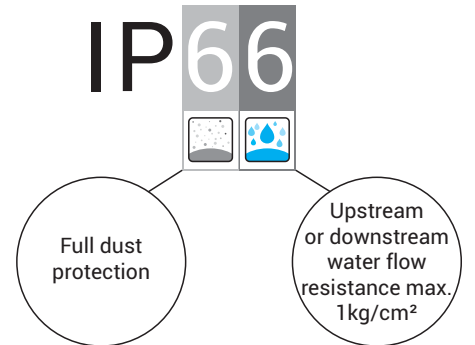
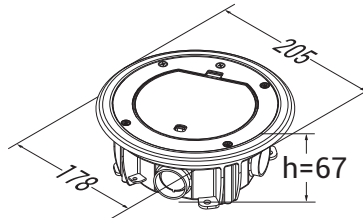
Plastic material used is PC-ABS; which is "halogen free" and has met 690°C glow wire test conditions as per IEC 60965 and in V2 fire resistance class according to UL94 standard.



### ▶ General Structure



Description	Order Codes			
	Grey	Dark Grey	Brown	Black
IP66 Plastic Grommet Outlet Box, 4 Modules, Complete	3087076	3122666	3087078	3087079



### ▶ Socket Capacity

New Generation small size IP66 Plastic Grommet that meets Mains, UPS, Data and Telephone needs. Versatile use structure with 4 Modules capability.

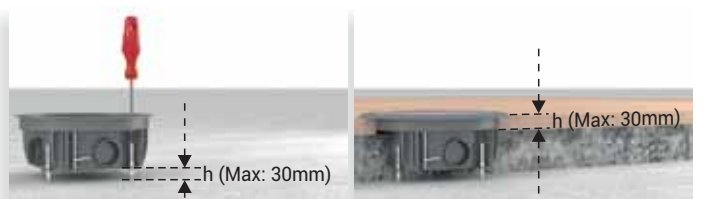


### ▶ Under screed application

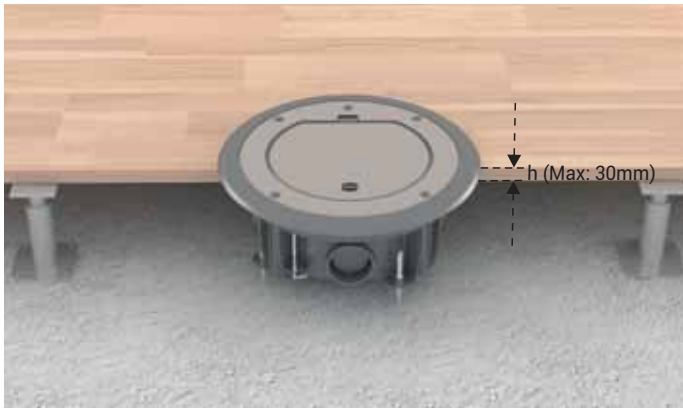
The "Styrofoam" material used in the bottom enclosure blocks screed leakage.



### ▶ Height Adjustment (Screed Application)



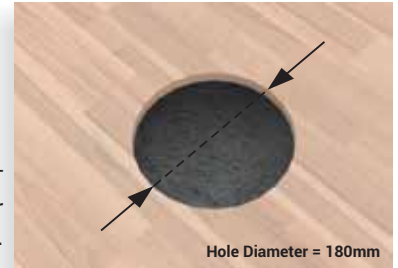
Note: Please contact us for other size requirements.



### ► Raised Floor Installation

Max. layout thickness is 30 mm.

IP66 PLASTIC GROMMET  
raised floor  
hole diameter is 180 mm.



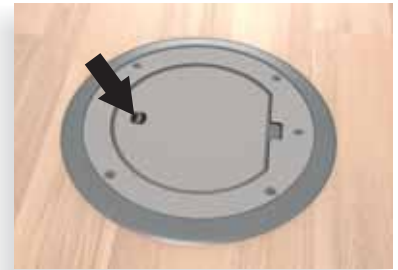
### ► Protected Outlet Window

Cover design with cable protection mechanism that can withstand standing weight of a person.



### ► Easy Lock Design

The handle system with practical handling feature that eases opening and closing of the cover.



### Raised Floor or Under Screed Waterproof (IP66) Grommet



## ►► UNDER SCREED JUNCTION BOXES and CABLE DUCTS

### ► Outlet and Pull Junction Box Solutions

### ► Heavy Duty Junction Boxes



### ► Under Screed Floor Junction Boxes

#### ► Pull Junction Box (DB-SK)

Contains the access cover to enable pulling the electrical cables (high and low power currents).

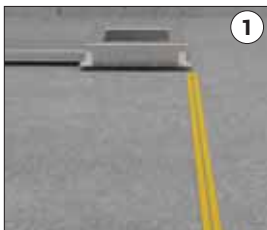
#### ► Outlet Junction Box (DB-S)

Used for installing the outlet (socket) boxes; without cover.

#### ► Cable Duct (DKL)

It consists of 2 parts: bottom enclosure and top cover. The "roll-form" machinery is used for joining of the bottom enclosure and the top cover. Due to their corrosive properties, welding or soldering are not used for joining.

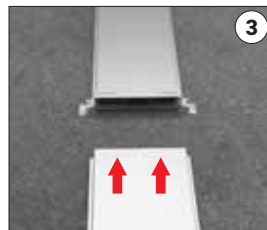
### ► Under Screed Junction and Cable Ducts Installation Instructions



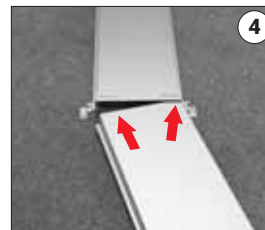
1 Lay a rope that is compatible with the system.



2 Connect the conduits together.



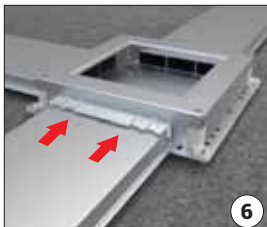
3 Fix the joint elements to each end of the ducts.



4 Fix the other duct to joint element and put in place using levelling equipment.



5 Bend the separating plate on the junction to connect the conduit.



6 Fix the duct to the inlet of junction.



7 Level the junction box using a spirit level.



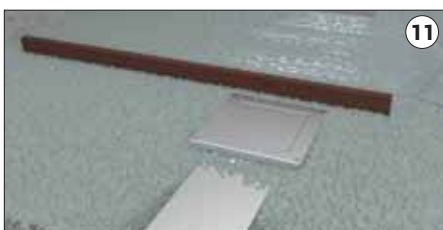
8 Level the connection using a water gauge.



9 Complete the system connections.



10 Level the connection using a spirit level. Complete the system connections.



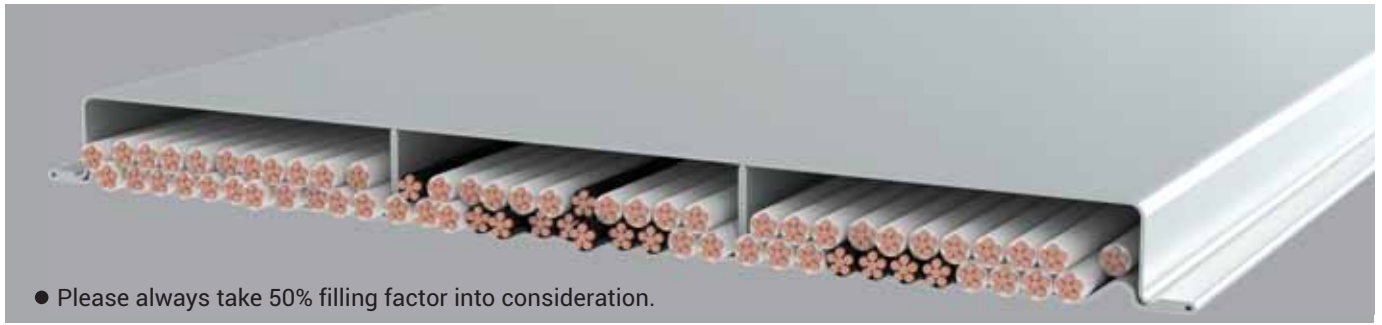
11 Prior to applying the screed, apply rabbit wire (fine mesh wire) on the conduits. Apply a layer of cement mortar on the duct and lay the mesh wire.



12 Then, apply another thin layer of cement mortar on the mesh wire.

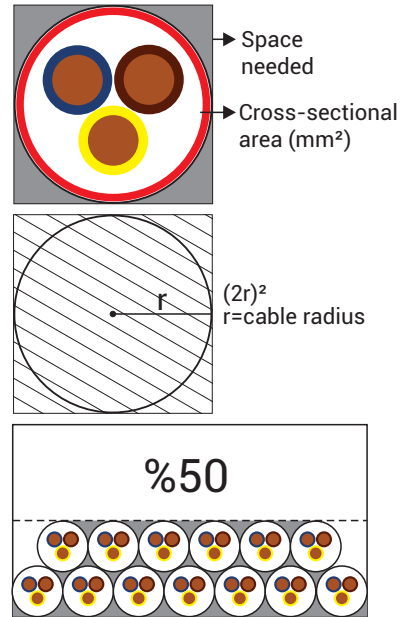


13 Apply the regular screed on top and use a gauge to level based on a pre-laid rope.

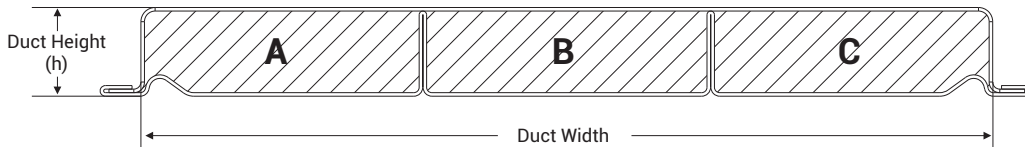


### ► Design and Selection

- EAE under screed cable ducts offer proposal 8 (eight) options with two different heights and 4 (four) different widths in a 2000mm standard length.
- The underfloor ducts have a seamless design which prevents damage to the cables running through them. This gives maximum space inside the ducts.
- Cable diameter alone is not sufficient information to determine the space that a cable really needs. This value can be calculated including inter-spaces as the following, with  $(2r)^2$  formula.
- Space for 1 cable =  $(2r)^2$   
Space for "n" cables =  $n \cdot (2r)^2$   
(Total cable space requirement must be added by individually calculating for each cable.)
- EAE under screed cable ducts; pursuant to the "electrical continuity" article (article 11.1) of the IEC 50085 standard, have sufficient conductivity; again as mentioned in Note 1 of the same article and can be used as an equipotential connection and/or protective conductor.



For this purpose, the "electrical impedance" tests indicated in the article 11.1.2 of the same standard, have been made and the values of the standard have been obtained.



Sectional Views	Nominal Size		Order Code	Duct Path Width (mm) (*)			Theoretical Cross-sectional area (mm <sup>2</sup> )			Theoretical Total Cross-sectional area (mm <sup>2</sup> )
	Duct Height (mm)	Duct Width (mm)		A	B	C	A	B	C	
	25	120	3008415	55	55	—	1367	1367	—	2733
		180	3008414	57,5	60	57,5	1367	1367	1367	4100
		240	3008413	77,5	80	77,5	1835	1835	1835	5504
		300	3008412	97,5	100	97,5	2303	2303	2303	6908
	35	120	3008411	55	55	—	1951	1951	—	5852
		180	3008410	57,5	60	57,5	1951	1951	1951	5852
		240	3008409	77,5	80	77,5	2619	2619	2619	7856
		300	3008408	97,5	100	97,5	3287	3287	3287	9860

(\*)These are the gross sizes, sheet thicknesses are included.

## ► Design and Selection

**25 x ...mm**

Order Cod. **3008415**

Order Cod. **3008414**

Order Cod. **3008440**

Order Cod. **3008413**

Order Cod. **3008412**

**35 x ...mm**

Order Cod. **3008411**

Order Cod. **3008410**

Order Cod. **3008409**

Order Cod. **3008408**

(h) : Height  
(w) : Width

Vertical Bend	Level Adjustment Element	Duct Fixing Element																		
<table border="1" style="width: 100%; border-collapse: collapse;"> <tr><td>25 x 120mm</td><td>Order Cod. <b>3008391</b></td></tr> <tr><td>25 x 180mm</td><td>Order Cod. <b>3008390</b></td></tr> <tr><td>25 x 215mm</td><td>Order Cod. <b>3008437</b></td></tr> <tr><td>25 x 240mm</td><td>Order Cod. <b>3008389</b></td></tr> <tr><td>25 x 300mm</td><td>Order Cod. <b>3008388</b></td></tr> <tr><td>35 x 120mm</td><td>Order Cod. <b>3008222</b></td></tr> <tr><td>35 x 180mm</td><td>Order Cod. <b>3008221</b></td></tr> <tr><td>35 x 240mm</td><td>Order Cod. <b>3008220</b></td></tr> <tr><td>35 x 300mm</td><td>Order Cod. <b>3008219</b></td></tr> </table>	25 x 120mm	Order Cod. <b>3008391</b>	25 x 180mm	Order Cod. <b>3008390</b>	25 x 215mm	Order Cod. <b>3008437</b>	25 x 240mm	Order Cod. <b>3008389</b>	25 x 300mm	Order Cod. <b>3008388</b>	35 x 120mm	Order Cod. <b>3008222</b>	35 x 180mm	Order Cod. <b>3008221</b>	35 x 240mm	Order Cod. <b>3008220</b>	35 x 300mm	Order Cod. <b>3008219</b>	 Order Cod. <b>1004333</b>	 Order Cod. <b>3136437</b>
25 x 120mm	Order Cod. <b>3008391</b>																			
25 x 180mm	Order Cod. <b>3008390</b>																			
25 x 215mm	Order Cod. <b>3008437</b>																			
25 x 240mm	Order Cod. <b>3008389</b>																			
25 x 300mm	Order Cod. <b>3008388</b>																			
35 x 120mm	Order Cod. <b>3008222</b>																			
35 x 180mm	Order Cod. <b>3008221</b>																			
35 x 240mm	Order Cod. <b>3008220</b>																			
35 x 300mm	Order Cod. <b>3008219</b>																			

Joint Element	Termination Element																																				
<table border="1" style="width: 100%; border-collapse: collapse;"> <tr><td>25 x 120mm</td><td>Order Cod. <b>3008407</b></td></tr> <tr><td>25 x 180mm</td><td>Order Cod. <b>3008406</b></td></tr> <tr><td>25 x 215mm</td><td>Order Cod. <b>3008439</b></td></tr> <tr><td>25 x 240mm</td><td>Order Cod. <b>3008405</b></td></tr> <tr><td>25 x 300mm</td><td>Order Cod. <b>3008404</b></td></tr> <tr><td>35 x 120mm</td><td>Order Cod. <b>3008403</b></td></tr> <tr><td>35 x 180mm</td><td>Order Cod. <b>3008402</b></td></tr> <tr><td>35 x 240mm</td><td>Order Cod. <b>3008401</b></td></tr> <tr><td>35 x 300mm</td><td>Order Cod. <b>3008400</b></td></tr> </table>	25 x 120mm	Order Cod. <b>3008407</b>	25 x 180mm	Order Cod. <b>3008406</b>	25 x 215mm	Order Cod. <b>3008439</b>	25 x 240mm	Order Cod. <b>3008405</b>	25 x 300mm	Order Cod. <b>3008404</b>	35 x 120mm	Order Cod. <b>3008403</b>	35 x 180mm	Order Cod. <b>3008402</b>	35 x 240mm	Order Cod. <b>3008401</b>	35 x 300mm	Order Cod. <b>3008400</b>	<table border="1" style="width: 100%; border-collapse: collapse;"> <tr><td>25 x 120mm</td><td>Order Cod. <b>3008399</b></td></tr> <tr><td>25 x 180mm</td><td>Order Cod. <b>3008398</b></td></tr> <tr><td>25 x 215mm</td><td>Order Cod. <b>3008438</b></td></tr> <tr><td>25 x 240mm</td><td>Order Cod. <b>3008397</b></td></tr> <tr><td>25 x 300mm</td><td>Order Cod. <b>3008396</b></td></tr> <tr><td>35 x 120mm</td><td>Order Cod. <b>3008395</b></td></tr> <tr><td>35 x 180mm</td><td>Order Cod. <b>3008394</b></td></tr> <tr><td>35 x 240mm</td><td>Order Cod. <b>3008393</b></td></tr> <tr><td>35 x 300mm</td><td>Order Cod. <b>3008392</b></td></tr> </table>	25 x 120mm	Order Cod. <b>3008399</b>	25 x 180mm	Order Cod. <b>3008398</b>	25 x 215mm	Order Cod. <b>3008438</b>	25 x 240mm	Order Cod. <b>3008397</b>	25 x 300mm	Order Cod. <b>3008396</b>	35 x 120mm	Order Cod. <b>3008395</b>	35 x 180mm	Order Cod. <b>3008394</b>	35 x 240mm	Order Cod. <b>3008393</b>	35 x 300mm	Order Cod. <b>3008392</b>
25 x 120mm	Order Cod. <b>3008407</b>																																				
25 x 180mm	Order Cod. <b>3008406</b>																																				
25 x 215mm	Order Cod. <b>3008439</b>																																				
25 x 240mm	Order Cod. <b>3008405</b>																																				
25 x 300mm	Order Cod. <b>3008404</b>																																				
35 x 120mm	Order Cod. <b>3008403</b>																																				
35 x 180mm	Order Cod. <b>3008402</b>																																				
35 x 240mm	Order Cod. <b>3008401</b>																																				
35 x 300mm	Order Cod. <b>3008400</b>																																				
25 x 120mm	Order Cod. <b>3008399</b>																																				
25 x 180mm	Order Cod. <b>3008398</b>																																				
25 x 215mm	Order Cod. <b>3008438</b>																																				
25 x 240mm	Order Cod. <b>3008397</b>																																				
25 x 300mm	Order Cod. <b>3008396</b>																																				
35 x 120mm	Order Cod. <b>3008395</b>																																				
35 x 180mm	Order Cod. <b>3008394</b>																																				
35 x 240mm	Order Cod. <b>3008393</b>																																				
35 x 300mm	Order Cod. <b>3008392</b>																																				

**Duct Earthing Element**

Duct earthing element usage

Order Code **3082623**

**Junction Box Earthing Element**

Junction box earthing element usage.

Order Code **3082624**

Technical Information									
PRODUCT	Height (mm)	25				35			
	Width (mm)	120	180	240	300	120	180	240	300
IMPEDANCE	Z(mΩ/m) (*)	0,449	0,379	0,330	0,260	0,409	0,378	0,281	0,197
SHEET THICKNESS	mm	0,8	0,8	0,8	0,8	0,8	0,8	0,8	0,8
WEIGHT	kg/m	2,36	3,50	4,25	5,00	2,60	3,88	4,63	5,38

■ (\*) Impedance (Z) at junction points is lower than the 5mΩ that is determined by the standard.



## ► Design and Selection

### Height Adjustment (For S Type Junction Boxes)



Before Screed Height Adjustment (20mm)

After Screed Height Adjustment (15mm)

The S Type junction boxes have a specially designed level adjustment at each corner for both over and under screed finish. The height setup prior to the screed finish is a maximum of 20mm. The minimum underfloor (screed finish height is 70mm).

The height (h) of the S Type Junction Boxes can be adjusted up to 15mm after applying the screed. After under screed fine tuning must be done using a spirit level.

### S Type Junction Box Variants and Order Codes Width

Pull Junction Box		Outlet Junction Box (Single)		Outlet Junction Box (Double)	
DB-DKF5 SK	Order Cod. <b>3137294</b>	DB-DKF5 S1	Order Cod. <b>3137296</b>	DB-DKF5 S2	Order Cod. <b>3137298</b>
		<p>(Technical specifications are identical to the pull junction)</p>		<p>(Technical specifications are identical to the pull junction)</p>	
<p><b>Junction Box Cover Sheet</b> DB-F5 BK 280x280mm Order Cod. <b>3082317</b></p>		<p><b>Box Space</b> a x b 252x252mm</p>		<p><b>Box Space</b> a x b 252x252mm</p>	
Pull Box with Pipe Input		Outlet Box with Pipe Input (Single)		Outlet Box with Pipe Input (Double)	
DB-DKF5 SK	Order Cod. <b>3137295</b>	DB-DKF5 S1	Order Cod. <b>3137297</b>	DB-DKF5 S2	Order Cod. <b>3137299</b>
		<p>(Technical specifications are identical to the pull junction)</p>		<p>(Technical specifications are identical to the pull junction)</p>	
<p><b>Junction Box Cover Sheet</b> DB-F5 BK 280x280mm Order Cod. <b>3082317</b></p>		<p><b>Box Space</b> a x b 252x252mm</p>		<p><b>Box Space</b> a x b 252x252mm</p>	

All junction boxes allows 4 way duct input and output (socket) box may be placed in 4 way. The duct input separators made of galvanized sheet take place on 4 sides of the junction boxes. Its modular design enables the use of under screed cable ducts of 4 different sizes. For DK-F5 output (socket) boxes the under screed cable ducts of 25 mm height shall be used.

S2 Type Outlet Junction Box (Double); where cables are packed in a tight space, an eyelet is used for the outlet (socket) box cables and the other eyelet used for wiring through the ducts line.

(\*1) For S1 and S2 type junction box without output (socket) box, the cover plate must be ordered separately.

■ The junction box requirements must be specified in the order for both duct and pipe inputs.

## ► Design and Selection

### S Type Junction Box Variants and Order Codes Width

Pull Junction Box		Pull Junction Box (Single)		Pull Junction Box (Double)	
DB-MX1/F7 SK	DB-MX2 SK	DB-MX1/F7 S1	DB-MX2 S1	DB-MX1/F7 S2	DB-MX2 S2
Order Cod. <b>3082315</b>	Order Cod. <b>3082316</b>	Order Cod. <b>3082311</b>	Order Cod. <b>3082312</b>	Order Cod. <b>3082313</b>	Order Cod. <b>3082314</b>
		<p>(Technical specifications are identical to the pull junction)</p>		<p>(Technical specifications are identical to the pull junction)</p>	
Pull Box with Pipe Input		Outlet Box with Pipe Input (Single)		Outlet Box with Pipe Input (Double)	
DB-MX1/F7 SK	DB-MX2 SK	DB-MX1/F7 S1	DB-MX2 S1	DB-MX1/F7 S2	DB-MX2 S2
Order Cod. <b>3122648</b>	Order Cod. <b>3122654</b>	Order Cod. <b>3122649</b>	Order Cod. <b>3122655</b>	Order Cod. <b>3122652</b>	Order Cod. <b>3122658</b>
		<p>(Technical specifications are identical to the pull junction)</p>		<p>(Technical specifications are identical to the pull junction)</p>	
Pull Junction Box with Pipe and Duct Input		Outlet Junction Box with Pipe and Duct Input (Single)		Outlet Junction Box with Pipe and Duct Input (Double)	
DB-MX1/F7 SK	DB-MX2 SK	DB-MX1/F7 S1	DB-MX2 S1	DB-MX1/F7 S2	DB-MX2 S2
Order Cod. <b>3122650</b>	Order Cod. <b>3122656</b>	Order Cod. <b>3122651</b>	Order Cod. <b>3122657</b>	Order Cod. <b>3122653</b>	Order Cod. <b>3122659</b>
		<p>(Technical specifications are identical to the pull junction)</p>		<p>(Technical specifications are identical to the pull junction)</p>	

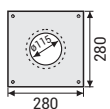
### Junction Box Cover Sheet

	DB-MX1 BK DB-F7 BK	DB-MX2 BK
	280x280mm	176x280mm
Order Code	<b>3082317</b>	<b>3082318</b>

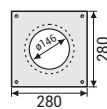
### Box Space

	DB-MX1 S1 DB-F7 S1	DB-MX2 S1		DB-MX1 S2 DB-F7 S2	DB-MX2 S2
	a x b	a x b		a x b	a x b
	252x252mm	148x252mm		252x252mm	148x252mm

### Grommet Special Junction Box Cover Plate



<b>DKY Grommet</b>
ø115mm
Order Cod. <b>3126734</b>



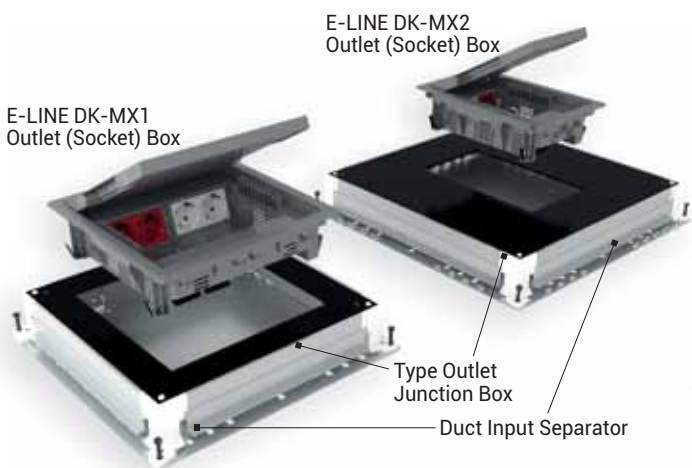
<b>New Plastic Grommet 6 Modules</b>
ø146mm
Order Cod. <b>3126735</b>

■ Junction box cover plate must be provided with the pull boxes. However for output junction boxes without output (socket) box, order separately.

## ► Design and Selection

A TYPE (Heavy Duty) Junction Box Variants and Order Codes															
Pull Junction Box (1)		Pull Junction Box (2)		Outlet Junction Box (1)		Outlet Junction Box (2)									
DB-MX A1K		DB-MX A2K		DB-MX1 A1	DB-MX2 A1	DB-MX1 A2	DB-MX2 A2								
Order Code	<b>3008165</b>	Order Code	<b>3008163</b>	Order Cod.	<b>3082319</b>	Order Cod.	<b>3082320</b>								
<p>Aluminum Top Frame (2mm) Cover Sheet (4mm) Duct Input Separator (1mm) Bottom Plate Sheet (1mm)</p>		<p>Bottom Plate Sheet (2mm)</p> <p>(Other technical specifications are identical.)</p>		<p>(Other technical specifications are identical.)</p>		<p>(Other technical specifications are identical.)</p>									
<p><b>Junction Box Cover Sheet</b> 360x360mm Included with the product.</p>		<p><b>Junction Box Cover Sheet</b> 450x450mm Included with the product.</p>		<p><b>Box Space</b></p> <table border="1"> <tr> <td>DB-MX1 A1 a x b</td> <td>DB-MX2 A1 a x b</td> </tr> <tr> <td>252x252mm</td> <td>148x252mm</td> </tr> </table>		DB-MX1 A1 a x b	DB-MX2 A1 a x b	252x252mm	148x252mm	<p><b>Box Space</b></p> <table border="1"> <tr> <td>DB-MX1 A2 a x b</td> <td>DB-MX2 A2 a x b</td> </tr> <tr> <td>252x252mm</td> <td>148x252mm</td> </tr> </table>		DB-MX1 A2 a x b	DB-MX2 A2 a x b	252x252mm	148x252mm
DB-MX1 A1 a x b	DB-MX2 A1 a x b														
252x252mm	148x252mm														
DB-MX1 A2 a x b	DB-MX2 A2 a x b														
252x252mm	148x252mm														

A Type Junction Box Systems have more capacity and can be used in heavy duty applications. They also feature 4 side conduit connection and the outlet box can be connected on 4 sides. The duct inlet separators made of galvanized sheet, take place on the 4 side of junction boxes. As they can be moved, they enable the use of under screed cable duct of 8 different sizes.



**Intense Cable Passage**

DB-MX1 A1 (360x360mm)	DB-MX1 A2 (450x450mm)
50mm	100mm

A Type Junction box system enables intense cable passage applications with its large internal volume.

A1 Type Outlet Junction Box (360x360 mm)	50 mm	A2 Type Outlet Junction Box (450x450 mm)	100 mm
--	-------	--	--------

### Height Adjustment (For A Type Junctions)

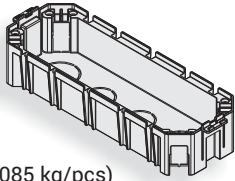


Before Screed Height Adjustment (20mm)

After Screed Height Adjustment (30mm)

Structure with the corner piece and special design, the A Type Junction box enable making adjustments before and after applying the screed. Before Screed maximum height adjustment is 20 mm.

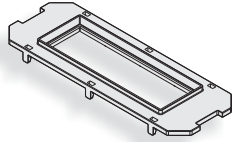
The height (h) of the A Type Junction Boxes can be adjusted non-gradually 0 to 30mm after applying the screed. After under screed fine tuning should be done using a spirit level.



(0,085 kg/pcs)

### Socket Case (Vertical)

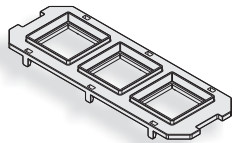
Description	Order Code
Socket Case (Vertical)	3135639



(0,028 kg/pcs)

### Socket Plate (1)

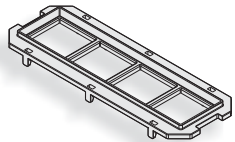
Description	Order Code
Socket Plate (1) 6 Modules	1020398



(0,031 kg/pcs)

### Socket Plate (2)

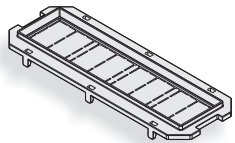
Description	Order Code
Socket Plate (2) 6 Modules	1020399



(0,030 kg/pcs)

### Socket Plate (3)

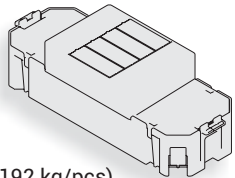
Description	Order Code
Socket Plate (3) 8 Modules	1020401



(0,028 kg/pcs)

### Socket Plate (4)

Description	Order Code
Socket Plate (4)	1020403



(0,192 kg/pcs)

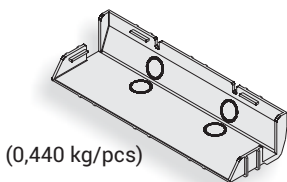
### MCB / RCD / RCBO CASE

Description	Order Code
NDK MCB Case Set (*)	3181231

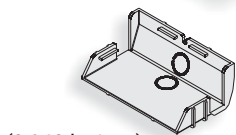
(\*) Order separately if needed



### DK-MX Bottom Cover for Raised Floor



(0,440 kg/pcs)

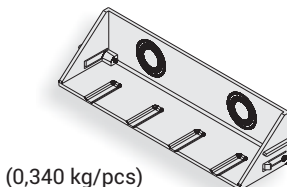


(0,140 kg/pcs)

Description	Order Code
MX1 Bottom Cover for Raised Floor Gray	3082323
MX1 Bottom Cover for Raised Floor Dark Gray	3122135
MX1 Bottom Cover for Raised Floor Brown	3082324
MX1 Bottom Cover for Raised Floor Black	3082325
MX2 Bottom Cover for Raised Floor Gray	3082326
MX2 Bottom Cover for Raised Floor Dark Gray	3122136
MX2 Bottom Cover for Raised Floor Brown	3082327
MX2 Bottom Cover for Raised Floor Black	3082328



### DK-F Bottom Cover for Raised Floor



(0,340 kg/pcs)

Description	Order Code
F5 / F7 Bottom Cover for Raised Floor Gray	3141657
F5 / F7 Bottom Cover for Raised Floor Dark Gray	3141658
F5 / F7 Bottom Cover for Raised Floor Brown	3141659
F5 / F7 Bottom Cover for Raised Floor Black	3141660



■ All products in this page are provided with output (socket) boxes the ordered as set (excluding products marked with (\*)). Additional order items are not required. However, should be ordered; if lost, broken or function changes.

**Power Socket (1)**

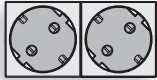


1

Description	Order Code
Power Socket (1) - (230 V / 16 A)	<b>1004270</b>



**Power Socket (2)**

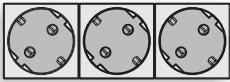


2

Description	Order Code
Power Socket (2) - (230 V / 16 A) (*)	<b>1004272</b>



**Power Socket (3)**

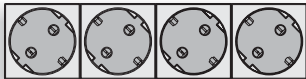


3

Description	Order Code
Power Socket (3) - (230 V / 16 A) (*)	<b>1003482</b>



**Power Socket (4)**



4

Description	Order Code
Power Socket (4) - (230 V / 16 A) (*)	<b>1004243</b>



**UPS Socket (1)**

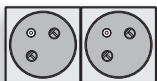


1

Description	Order Code
UPS Socket (1) - (230 V / 16 A)	<b>1004271</b>



**UPS Socket (2)**

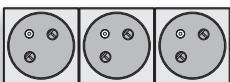


2

Description	Order Code
UPS Socket (2) - (230 V / 16 A) (*)	<b>1004273</b>



**UPS Socket (3)**

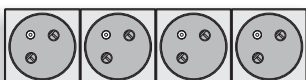


3

Description	Order Code
UPS Socket (3) - (230 V / 16 A) (*)	<b>1003483</b>



**UPS Socket (4)**

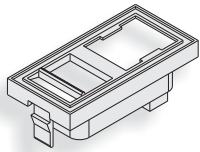


4

Description	Order Code
UPS Socket (4) - (230 V / 16 A) (*)	<b>1004242</b>



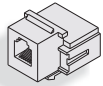
The products that are marked with (\*) can be used with socket case and appropriate socket plates.



**Telephone / Data Cover**

Description	Order Code
Telephone / Data Cover	<b>1004186</b>

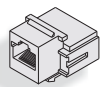
Telephone / Data cover is compatible with the "Keystone Jack" standard.



**Telephone Socket**

Description	Order Code
Telephone Socket	<b>1004337</b>

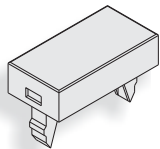
Telephone Socket; supplied as CAT3 RJ11 "Keystone Jack".



**Data Socket**

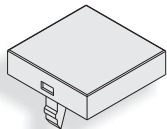
Description	Order Code
Data Socket	<b>1004334</b>

Data Socket; supplied as CAT6 UTP RJ45 "Keystone Jack".



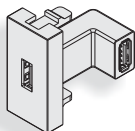
**Single Cover Plate**

Description	Order Code
Single Cover Plate	<b>1004246</b>



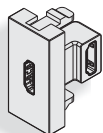
**Double Cover Plate**

Description	Order Code
Double Cover Plate	<b>1002612</b>



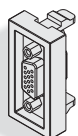
**USB Adapter**

Description	Order Code
USB 3.0 Adapter, 22,5x45 mm Female-Female, 90° Angled - Black/White (*)	<b>1016318</b>



**HDMI Adapter**

Description	Order Code
HDMI Adapter, 22,5x45 mm Female-Female, 90° Angled - Black/White (*)	<b>1016317</b>



**VGA Adapter**

Description	Order Code
VGA Adapter, 22,5x45 mm Female-Female, Black/White (*)	<b>1016319</b>



**USB Charger Unit**

Description	Order Code
Dual USB Charger Adapter, 2 ports, Input 100-240 VAC, 50-60 Hz, Outlet5 VDC - 2100mA, Black/White	<b>1016316</b>



(\*) Standard product colour for multimedia sockets and USB charger units are WHITE. For black colour option please make an enquiry and you will receive a deadline for delivery.

**UNDER SCREED CABLE DUCTS, JUNCTIONS  
AND SERVICE OUTLET (SOCKET) BOXES  
GENERAL PRODUCT SPECIFICATIONS**

**1- SCOPE:**

This part comprises certain relevant details regarding the production of other pieces used in electrical wiring designs such as under-screed cable duct, junction box, bend, joint pieces, under-screed junction box, pedestal, socket box, case etc.

**2- STANDARDS:**

In the scope of this specification, the product, production, mounting and tests of Under-Screed Cable Ducts and Junction Boxes, are carried out pursuant to the latest versions of following standards.

STANDARD NO	STANDARD NAME
TS EN 50085-2-2 EN 50085-2-2	For equipped cable duct systems and cable duct systems - electrical wirings, see part 2-2: Equipped cable duct systems and cable duct systems that are designed for under-floor, embedded or on-the-floor mountings.

**3- TECHNICAL SPECIFICATIONS**

**3.1-Under-Screed Cable Duct:**

Under-Screed Cable Duct system will be used where the screed and covering are sufficiently high. It is composed of 3 (three) units being under-screed cable duct, covering junction and service outlet (socket) boxes, and it is supposed to remain completely under the floor covering.

Under-Screed Cable duct, for power, data and other connection lines, is produced in 2 (two) different height being 25mm and 35 mm, in 5 (five) different width being 120, 180, 215, 240 and 300 mm. Those with a width of 120 mm have 2 (two) sections whereas others have 3. Ducts are composed of two pieces being the lower housing and the upper cover.

Lower housing separating walls, the process of mounting the upper cover to the lower housing in a click-fit way, is made by the "roll-form" machine. Because of its corrosive features no welding or spot welding operation is made.

Under-Screed Cable Ducts are produced in 2000mm standard size. Special duct joint elements are used for duct tail-pieces. There are special corner turn elements where ducts need to turn upwards or downwards; special ending elements at duct endpoints. They are produced in conformity with under-screed cable duct principles.

Bearings with level adjustment are used for different height adjustments in under-screed cable ducts.

Pursuant to the "electrical continuity" article (article 11.1) of the IEC 50085 standard, it has a sufficient conductivity; again as mentioned in Note 1 of the same article, it can be used as an equipotential connection and/or protective conductor. For this purpose, the "electrical impedance" tests indicated in the article 11.1.2 of the same article, have been made and the values of the standard have been obtained.

As-per EN 50085-2-2 standard "electrical continuity" article, duct and junction box grounding elements are produced and used.

**3.2-Under-Screed Connection and Output Junctions:**

For easily drawing the cables in lines where under-screed cable duct changes direction or in long lines; "connection junctions", for service outlet (socket) boxes mounting where network (power), UPS socket, data or telephone socket output is needed; "output junctions", are produced in different structure, specification and sizes to meet the needs.

Perforated covering sheet exists on all four sides of connection and output junctions which are produced of pre-galvanized sheet in 2 mm of thickness and in a special form. The covering sheets are designed to comply with under-screed cable duct mounting in different sizes. At the same time, it prevents the entrance of foreign substances such as mortar, plaster etc. into the junction box.

For the heavy work type junction boxes there are produced with an aluminium housing and special corner wedges for heavy loaded areas, the upper cover sheet has a thickness of 4 mm.

On under screed junction boxes there is a protective cover made of transparent plastic material for avoiding the entrance of screed and foreign substances into the junction box during screeding operation. After the mounting and screeding operation is done, this protective cover can be demounted after cutting and the junction box can be closed by the output cover.

In lower bases of under screed junction boxes and on corner elements, there are adjuster screws that enable adjusting of before screed of after screed system in desired height. They operate with the standard nut mounted into the corner piece.

All the sheet pieces used in under screed junction boxes are produced as galvanized.

Under-Screed junction boxes are tested and certified by a laboratory that is accredited in the scope of EN 50085-2-2 standard.

**3.3-Service Outlet (Socket) Boxes:**

In under-screed cable duct systems, the service outlet (socket) boxes that are used for power (network + UPS), data and telephone outputs and placed into the under screed output junction, have a structure to meet different need capacities and to take 24 module socket in maximum.

The direction of service outlet (socket) boxes cover can be changed as 180°. It is supported by a sheet in an appropriate thickness in order to increase cover resistance. Housing and plastic pieces used in service outlet (socket) boxes for under-screed and/or raised covering applications, are produced of PC, PC/ABS and PA6 plastic raw materials which meet at least 850 °C "glow wire" test conditions according to IEC 60695 standard and which are at least of "V2" fire resistance class according to UL94 standard.

Under-Screed service outlet (socket) boxes are tested and certified by a laboratory that is accredited in the scope of EN 50085-2-2 standard.



# TEST CERTIFICATE

**Issued to:** EAE Elektrik Asansör Endustrisi Insaat San. ve Tic. A.S.  
Akçaburgaz Mahallesi 3114  
Sokak No: 10  
34510 Esenyurt / Istanbul  
Turkey

**For the product:** Cable trunking and cable ducting systems intended for mounting underfloor, flushfloor or onfloor.

**Trade name:** EAE

**Type/Model:** E-Line DK...

**Ratings:** See for the product information the annex of this DEKRA Test Certificate.

**Manufactured by:** EAE Elektrik Asansör Endustrisi Insaat San. ve Tic. A.S.  
Akçaburgaz Mahallesi 3114  
Sokak No: 10  
34510 Esenyurt / Istanbul  
Turkey

**Requirements:** EN 50085-1:2005/A1:1998  
EN 50085-2-2:2008  
BS EN 50085-1:2005/A1:1998  
BS EN 50085-2-2:2008

**Remarks:** The products meet the requirements.

This Test Certificate is valid till 9 March 2020 and expires upon withdrawal of one of the above mentioned standards or after changing the construction, materials or production method.

This Test Certificate is granted on account of an examination by DEKRA, the results of which are laid down in a confidential file no 2198073.51.

The examination has been carried out on one single specimen of the product, submitted by the manufacturer. The Attestation does not include an assessment of the manufacturer's production. Conformity of his production with the specimen tested by DEKRA is not the responsibility of DEKRA.

Arnhem, 9 March 2017

Number: 2198073.01

DEKRA Certification B.V.

drs. G.J. Zoetbrood  
Managing Director

H.R.M. Barends  
Certification Manager

© Integral publication of this certificate and adjoining reports is allowed

DEKRA Certification B.V. Meander 1051, 6825 MJ Arnhem P.O. Box 5185, 6802 ED Arnhem, The Netherlands  
T +31 88 96 83000 F +31 88 96 83100 www.dekra-certification.com Company registration 09085396



**СИСТЕМА СЕРТИФИКАЦИИ ГОСТ Р**  
**ФЕДЕРАЛЬНОЕ АГЕНТСТВО ПО ТЕХНИЧЕСКОМУ РЕГУЛИРОВАНИЮ И МЕТРОЛОГИИ**



# СЕРТИФИКАТ СООТВЕТСТВИЯ

№ РОСС TR.AB28.H19046

Срок действия с 18.08.2015 по 17.08.2018

№ 1928704

**ОРГАН ПО СЕРТИФИКАЦИИ** рег. № РОСС RU.0001.11AB28 **ОРГАН ПО СЕРТИФИКАЦИИ** продукции ООО "СЕРКОНС". 115114, г. Москва, ул. Дербеневская, д. 20, стр. 16. Телефон (495) 7821708, факс (495) 7821708, адрес электронной почты info@serconsrus.com.

**ПРОДУКЦИЯ** Ящики для низковольтных комплектных устройств, неэлектрические.  
Серийный выпуск.

код ОК 005 (ОКП):

34 6474

**СООТВЕТСТВУЕТ ТРЕБОВАНИЯМ НОРМАТИВНЫХ ДОКУМЕНТОВ**  
ГОСТ 8594-80

код ТН ВЭД России:

3926 90 970 9

**ИЗГОТОВИТЕЛЬ** «EAE ELEKTRİK ASANSOR ENDUSTRISI INSAAT SANAYI VE TICARET A.S.».  
Адрес: AKCABURGAZ MAHALLESİ, 119. SOKAK, NO: 10, 34510 ESENYURT, İSTANBUL, Турция.

**СЕРТИФИКАТ ВЫДАН** Общество с ограниченной ответственностью «ЕАЕ».  
Адрес: 601603, Российская Федерация, Владимирская область, Александровский район, деревня Марино, Каринское шоссе, дом 2.  
Телефон 84924433304, факс 84924433304, адрес электронной почты misikdekir@eae.com.tr.

**НА ОСНОВАНИИ** протокола испытаний № 18336 от 30.12.2014 г. Испытательный центр Общество с ограниченной ответственностью «АкадемСиб», аттестат аккредитации регистрационный № РОСС RU.0001.21AB09 действителен до 01.08.2016 года, фактический адрес: 630024, Российская Федерация, Новосибирская область, город Новосибирск, улица Бетонная, дом 14

**ДОПОЛНИТЕЛЬНАЯ ИНФОРМАЦИЯ** Схема сертификации: З.



Руководитель органа

подпись

А.А. Григорьев

инициалы, фамилия

Эксперт

подпись

А.Н. Лукьянов

инициалы, фамилия

Сертификат не применяется при обязательной сертификации

**ТАМОЖЕННЫЙ СОЮЗ**

**СЕРТИФИКАТ СООТВЕТСТВИЯ**



№ ТС RU C-TR.AL32.B.05758

Серия RU № 0328996

**ОРГАН ПО СЕРТИФИКАЦИИ** продукция Общество с ограниченной ответственностью Центр "ПрофЭкс".  
 Место нахождения: 115114, Российская Федерация, город Москва, улица Дербеневская, дом 24, строение 3.  
 Фактический адрес: 115114, Российская Федерация, город Москва, улица Дербеневская, дом 24, строение 3.  
 Телефон: 8 (495) 268-06-77, факс: 8 (495) 668-12-79, адрес электронной почты: info@profeks.ru.  
 Аттестат аккредитации регистрационный № РОСС RU.0001.11AL32 выдан 09.07.2013 года Федеральной службой по аккредитации

**ЗАЯВИТЕЛЬ** Общество с ограниченной ответственностью «ЕАЕ».  
 Основной государственный регистрационный номер: 1123339001697.  
 Место нахождения: 601603, Российская Федерация, Владимирская область, Александровский район, деревня Марино, Каринское шоссе, дом 2  
 Фактический адрес: 601603, Российская Федерация, Владимирская область, Александровский район, деревня Марино, Каринское шоссе, дом 2  
 Телефон: 84924433304, факс: 84924433304, адрес электронной почты: misikdekir@eae.com.tr

**ИЗГОТОВИТЕЛЬ** « EAE ELEKTRİK ASANSOR ENDUSTRISI INSAAT SANAYİ VE TICARET A.S. ».  
 Место нахождения: ТУРЦИЯ, АКСАБУРГАЗ МАНАЛЛЕСИ, 119. SOKAK, NO: 10, 34510 ESENYURT, ISTANBUL  
 Фактический адрес: ТУРЦИЯ, АКСАБУРГАЗ МАНАЛЛЕСИ, 119. SOKAK, NO: 10, 34510 ESENYURT, ISTANBUL

**ПРОДУКЦИЯ** Низковольтные комплектные устройства: напольные соединительные кабельные коробки, серии: «D-line», «DK», «DKD», «DKB», «DKE», «DKC», «E-line», «DKY», «DKN», «DKM», «DKK», «DKN-2», «DKM-2».  
 Продукция изготовлена в соответствии с директивой 2006/95/ЕС.  
 Серийный выпуск

КОД ТН ВЭД ТС 8537 10 990 0

**СООТВЕТСТВУЕТ ТРЕБОВАНИЯМ** Технического регламента Таможенного союза ТР ТС 004/2011 "О безопасности низковольтного оборудования"

**СЕРТИФИКАТ ВЫДАН НА ОСНОВАНИИ** протокола испытаний № 2601/3-2921 от 26.01.2015 года. Испытательная лаборатория Общество с ограниченной ответственностью «Сервис +», аттестат аккредитации регистрационный № РОСС RU.0001.21AB91 действителен до 21.10.2016 года, фактический адрес: 109044, город Москва, улица Воронцовская, 24, строение 2, офис 12; акта анализа состояния производства № 02374АП от 27.08.2015 года органа по сертификации продукции Общества с ограниченной ответственностью Центр "ПрофЭкс".

**ДОПОЛНИТЕЛЬНАЯ ИНФОРМАЦИЯ** Срок службы 2 года согласно технической документации изготовителя. Срок и условия хранения указаны в товаросопроводительной документации, приложенной к изделию.

**СРОК ДЕЙСТВИЯ С** 10.09.2015 **ПО** 09.09.2018 **ВКЛЮЧИТЕЛЬНО**



Руководитель (уполномоченное лицо) органа по сертификации

*Y.A. Kozlova*  
 (подпись)

Я.А. Козлова  
 (инициалы, фамилия)

Эксперт (эксперт-аудитор) (эксперты (эксперты-аудиторы))

*K.A. Maslyakova*  
 (подпись)

К.А. Маслякова  
 (инициалы, фамилия)

# CE DECLARATION OF CONFORMITY

**Product Line** E-Line N-DK Underfloor Busbar Cable Distribution Systems  
**Manufacturer** EAE Elektrik Asansor End. Insaat San. ve Tic. A.S.  
Akcaburgaz Mahallesi, 3114. Sokak,  
No:10 34510 Esenyurt-Istanbul

The objects of the declaration described below is in conformity with the relevant Union harmonisation legislation.  
This declaration of conformity is issued under the sole responsibility of the manufacturer.

**Standard:**

**EN 50085-1 / EN 50085-2-2**

See Part 1: general specifications for equipped cable duct systems and cable duct systems - electrical wirings

**CE - Directive**

2014/35/EU "The Low Voltage Directive"

**Technical Document Preparation Official:**

EAE Elektrik Asansor End. Insaat San. ve Tic. A.S.  
Akcaburgaz Mahallesi, 3114. Sokak, No:10 34522 Esenyurt-Istanbul

Emre GÜRLEYEN

**Date**

08/03/2021

**Document Authorized Signatory**

Elif Gamze KAYA OK  
Deputy General Manager



Parts List				
Serial No	Type	Pcs.		
			Company :	
			Project :	
Project No :				
Name :				
Date :				
Signature :				
Prepared by				

Please duplicate this page for your own use

Parts List				
Serial No	Type	Pcs.		
			Company :	
			Project :	
			Project No :	
Prepared by		Name : Date : Signature :		


Please duplicate this page for your own use

Parts List		
Serial No	Type	Pcs.

Company : _____	Project : _____	Project No : _____
Prepared by		
Name : _____	Date : _____	Signature : _____



Please duplicate this page for your own use

# PRODUCT TYPES



## BUSBAR ENERGY DISTRIBUTION SYSTEMS

---



## CABLE TRAYS

---



## TROLLEY BUSBAR ENERGY DISTRIBUTION SYSTEMS

---



## INDOOR SOLUTIONS

---



## SUPPORT SYSTEMS

---

Please visit our website for the latest version of our catalogues.  
[www.eaelectric.com](http://www.eaelectric.com)



EAE Elektrik A.S.  
Akcaburgaz Mahallesi,  
3114. Sokak, No:10 34522  
Esenyurt - Istanbul - TURKEY  
Tel: +90 (212) 866 20 00  
Fax: +90 (212) 886 24 20

Please visit our website for the latest version of our catalogues.  
[www.eaeelectric.com](http://www.eaeelectric.com)



TS EN 50085-2-2



Catalogue 33-Eng. / Rev 04 1000 pcs. 08/03/2021  
G.M.

EAE has full right to make any revisions or changes on this catalogue without any prior notice.

